

CLIENT
PROJECT
NOTES



## ESRU SERIES

### ADJUSTABLE EXIT LIGHT

The ESRU Series features a field-selectable color, allowing you to switch effortlessly between red and green. Designed for maximum flexibility with an adjustable angle for optimal visibility.

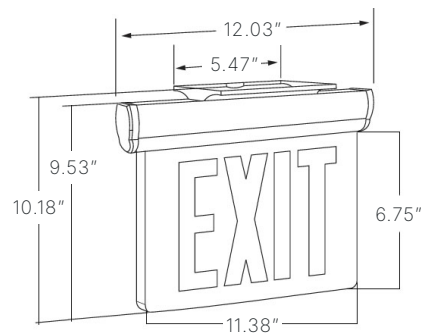
- Wall, sloped, high or standard ceiling mounting
- Aluminum housing with a high grade acrylic face
- Dual 120/277V operation
- UL 924, NEC, OSHA, NFPA 101 Life Safety Code
- Damp location, CEC Compliant



### TECHNICAL DETAILS

BACKUP BATTERY	3.6V 300mAh NiCad Battery
VOLTAGE	120/277VAC
WEIGHT	5lbs.
MOUNTING	Wall, Sloped, Ceiling
OPERATING TEMPERATURE	50°F to 104°F
WARRANTY	1 Year
LOCATION	Damp
CERTIFICATIONS	UL924, NEC, OSHA, NFPA 101

### DIMENSIONS



### ORDERING GUIDE

VA-ESRU	<input type="text"/>	<input type="text"/>	<input type="text"/>
	<b>HOUSING</b>	<b>OPERATION</b>	<b>SIDES</b>
	[A] Brushed Aluminum [W] White [B] Black	[BB] Battery Backup [AC] AC Only	[SC] Single Clear [DM] Double Mirrored

Example: VA-ESRU-A-BB-SC

### EMERGENCY OPERATION

Upon failure of the normal utility power, an internal solid state transfer switch automatically provides uninterrupted emergency operation for at least 90 minutes. The fully automatic solid-state, two-rate charger initiates battery charging to recharge a discharged battery in 24hours.

### BATTERY BACKUP

The ESRU Series is designed with a 3.6V 300mAh maintenance-free NiCad battery. The battery is protected by a low voltage cut-off circuit.