

ATR Series

Architectural Troffer

Highlights

- Architectural styled diffuser for a softer and more modern appearance
- Available in 2'x2' and 2'x4' sizing
- High quality powder coat finish over a cold rolled steel frame
- Premium LEDs provide a crisp CRI across a spectrum of temperatures
- Ideal for office, hospitality, retail, healthcare, municipal, and education settings
- Optional factory EM driver install available
- UL Listed



Ordering Guide

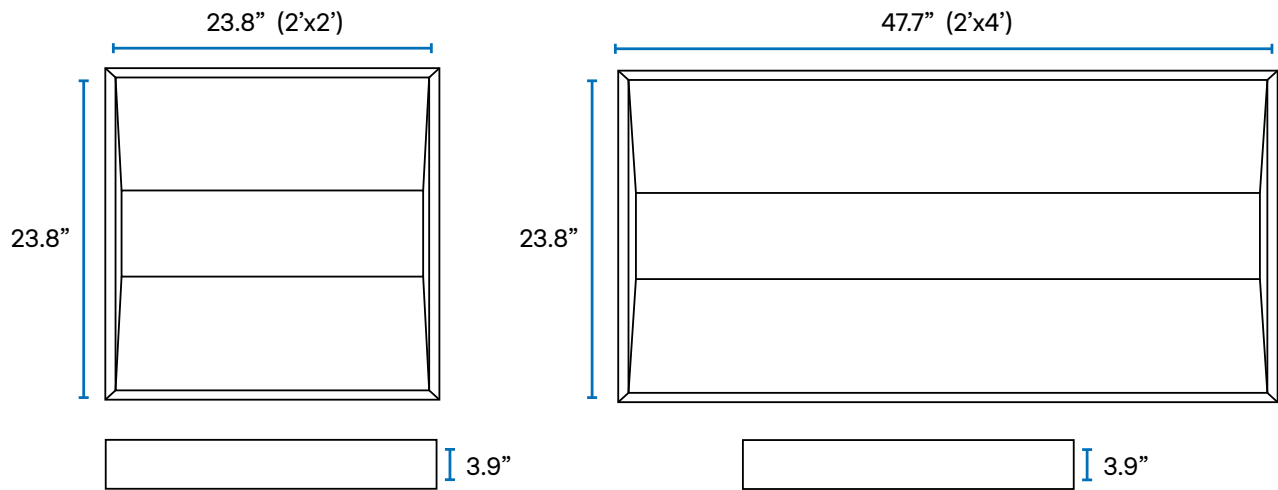
Example: VA-ATR-24-62-35

VA-ATR-XX-XX-XX

| VA | ATR | | | |
|---------|------------------------------|--------------------------------|--|--|
| VALRIYA | FAMILY | SIZE | POWER | CCT |
| VA | ATR Architectural Troffer | XX 22 = 2'X2' 24 = 2'X4' | XX 27 = 27W 40 = 40W 62 = 62W | XX 30 = 3000K 35 = 3500K 40 = 4000K 50 = 5000K |

ATR Series

0.1 Dimensions



0.2 Technical Overview

| CATEGORY | SPECIFICATION | DETAILS | | | |
|----------------------------|--------------------------|----------------------------|-----------|---------|---------|
| General Performance | Size | 2'x2' | | 2'x4' | |
| | Nominal Power | 27W | 40W | 40W | 62W |
| | Nominal Lumens Delivered | 2,700lm | 4,000lm | 4,000lm | 6,200lm |
| | Efficiency (lm/w) | 100lm/w | | | |
| | Color Temperature (CCT) | 3000K, 3500K, 4000K, 5000K | | | |
| | Dimming | Standard 0-10V Dimming | | | |
| | Input Voltage | 120-277V 50/60Hz | | | |
| | CRI | 80+ | | | |
| | Lumen Maintenance (L70) | 50,000 Hours | | | |
| | Physical | Dimensions (Inches) | See Above | | |
| Weight | | 11.0lbs | | 21.0lbs | |
| Housing | | Steel | | | |
| Diffuser / Lens | | PC | | | |
| Mounting | | Recessed | | | |
| Operating Temperature | | 14°F to 104°F | | | |
| Certifications | | Safety Certification | UL | | |
| | DLC Listed ¹ | No | | | |
| | Warranty | 5 Year | | | |

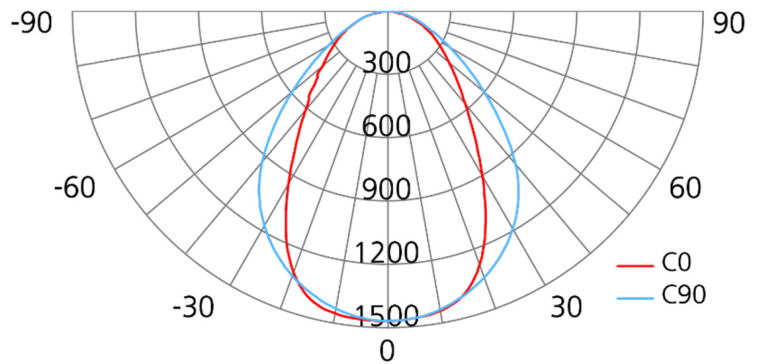
ATR Series

0.3 Photometric Data (2'x4', 62W, 4000K)

CANDLE POWER

| ANGLE | C0 | C45 | C90 |
|-------|-------|-------|-------|
| 10 | 3,382 | 3,436 | 3,440 |
| 20 | 2,941 | 3,266 | 3,392 |
| 30 | 2,080 | 2,621 | 3,138 |
| 40 | 1,468 | 1,807 | 2,569 |
| 50 | 1,025 | 1,182 | 1,662 |
| 60 | 718 | 777 | 940 |
| 70 | 412 | 464 | 488 |
| 80 | 96 | 182 | 218 |
| 90 | 0 | 0 | 0 |

CANDELA PLOT



Average Beam Angle (50%): 81.0 Deg

ZONAL LUMEN SUMMARY

| ZONE | LUMENS | % FIXTURE | LAMP |
|-------|--------|-----------|-------|
| 0-30 | 2,563 | 36.6 | 36.6 |
| 0-40 | 3,940 | 56.2 | 56.2 |
| 0-60 | 6,008 | 85.7 | 85.7 |
| 0-90 | 7,005 | 99.9 | 99.9 |
| 0-180 | 7,011 | 100.0 | 100.0 |

COEFFICIENT OF UTILIZATION (PFC - 20%)

| RCR | RW | 80% | | | 70% | | | 50% | | | 30% | | | 10% | | | 0% |
|-----|-----|-----|-----|-----|-----|-----|-----|-----|-----|-----|-----|-----|-----|-----|-----|-----|----|
| | | 50% | 30% | 10% | 50% | 30% | 10% | 50% | 30% | 10% | 50% | 30% | 10% | 50% | 30% | 10% | 0% |
| 0 | 119 | 119 | 119 | 119 | 116 | 116 | 116 | 111 | 111 | 111 | 106 | 106 | 106 | 102 | 102 | 102 | 99 |
| 1 | 106 | 102 | 99 | 99 | 104 | 100 | 97 | 99 | 97 | 94 | 96 | 93 | 91 | 92 | 90 | 88 | 86 |
| 2 | 94 | 88 | 83 | 83 | 92 | 87 | 82 | 89 | 84 | 80 | 85 | 82 | 78 | 82 | 79 | 76 | 74 |
| 3 | 84 | 76 | 71 | 71 | 82 | 75 | 70 | 79 | 74 | 69 | 77 | 72 | 68 | 74 | 70 | 66 | 64 |
| 4 | 75 | 67 | 61 | 61 | 74 | 67 | 61 | 72 | 65 | 60 | 69 | 64 | 59 | 67 | 62 | 58 | 56 |
| 5 | 68 | 60 | 54 | 54 | 67 | 59 | 53 | 65 | 58 | 53 | 63 | 57 | 52 | 61 | 56 | 52 | 50 |
| 6 | 62 | 54 | 48 | 48 | 61 | 53 | 48 | 59 | 52 | 47 | 58 | 51 | 47 | 56 | 51 | 46 | 44 |
| 7 | 57 | 49 | 43 | 43 | 56 | 48 | 43 | 54 | 47 | 42 | 53 | 47 | 42 | 52 | 46 | 42 | 40 |
| 8 | 52 | 44 | 39 | 39 | 51 | 44 | 39 | 50 | 43 | 38 | 49 | 43 | 38 | 48 | 42 | 38 | 36 |
| 9 | 48 | 40 | 35 | 35 | 48 | 40 | 35 | 46 | 40 | 35 | 45 | 39 | 35 | 44 | 39 | 35 | 33 |
| 10 | 45 | 37 | 32 | 32 | 44 | 37 | 32 | 43 | 37 | 32 | 42 | 36 | 32 | 41 | 36 | 32 | 30 |

*Effective floor cavity reflectance 20%