

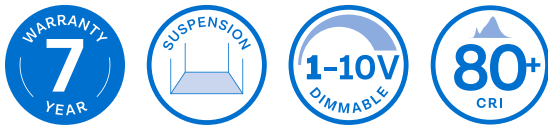
CLIENT _____
PROJECT _____
NOTES _____

LHB Series

Linear High Bay

Highlights

- Pure aluminum heatsink for superior heat dissipation and performance
- Available in 2ft and 4ft lengths
- High efficiency 130lm/w fixture – suitable for both warehouse and industrial type applications
- Premium LEDs provide a crisp CRI across a spectrum of temperatures
- Optional wireless motion + daylight sensor integration available
- UL, DLC (Premium)



Ordering Guide

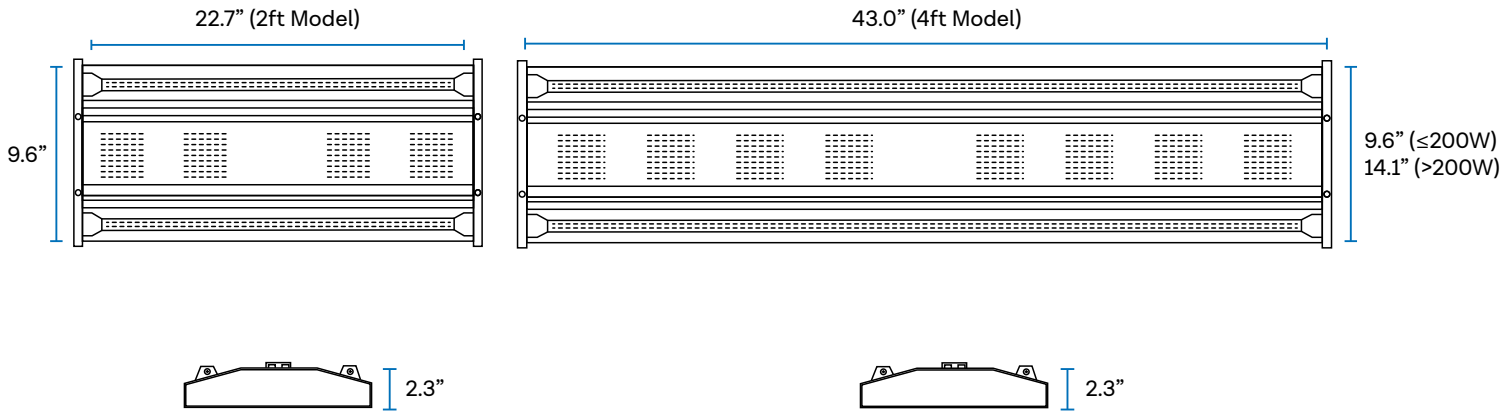
Example: VA-LHB-41-150-50

VA-LHB-XX-XXX-XX

VA	-	LHB	-	-	-
VALRIYA		FAMILY		SIZE	
VA		LHB		XX	
		Linear High Bay		21 = 2ft 41 = 4ft	
				POWER	
				100 = 100W 150 = 150W 200 = 200W 240 = 240W 300 = 300W	
					CCT
					XX 40 = 4000K 50 = 5000K 57 = 5700K

LHB Series

0.1 Dimensions



0.2 Technical Overview

CATEGORY	SPECIFICATION	DETAILS				
General Performance	Size	2ft	4ft			
	Nominal Power	100W	150W	200W	240W	300W
	Nominal Lumens Delivered	13,000lm	19,500lm	26,000lm	31,200lm	39,000lm
	Efficiency (lm/w)	130lm/w				
	Color Temperature (CCT)	3000K, 4000K, 5000K, 5700K				
	Dimming	Standard 1-10V Dimming				
	Input Voltage	120-277V 50/60Hz				
	Beam Angle	120°				
	CRI	80+				
	Lumen Maintenance (L70)	50,000 Hours+				
Physical	Dimensions	See Above				
	Weight	7.7lbs	10.6lbs	14.8lbs	14.8lbs	19.4lbs
	Housing	Aluminum				
	Mounting	Suspension				
	Operating Temperature	14°F to 104°F				
Certifications	Safety Certification	UL				
	DLC Listed ¹	V4.4, Premium	V4.4, Premium	No	No	No
	Warranty	7 Year				

¹ Excludes 3000K. Non DLC products can be listed upon request

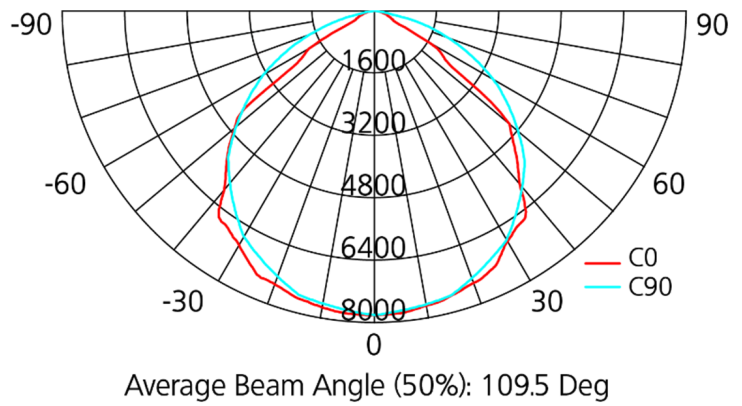
LHB Series

0.3 Photometric Data (150W, 5000K)

CANDLE POWER

ANGLE	C0	C45	C90
10	7,680	7,629	7,647
20	7,432	7,374	7,307
30	6,830	6,869	6,786
40	5,806	6,044	5,901
50	4,523	4,777	4,817
60	1,653	2,835	3,533
70	372	905	1,990
80	143	132	0
90	3	0	0

CANDELA PLOT



ZONAL LUMEN SUMMARY

ZONE	LUMENS	% FIXTURE	LAMP
0-30	6,148	11,178.2	11,178.2
0-40	10,189	18,525.5	18,525.5
0-60	17,671	32,129.1	32,129.1
0-90	20,008	36,378.2	36,378.2
0-180	20,008	36,378.2	36,378.2

COEFFICIENT OF UTILIZATION (PFC - 20%)

RCR	RW	80%			70%			50%			30%			10%			0%
		50%	30%	10%	50%	30%	10%	50%	30%	10%	50%	30%	10%	50%	30%	10%	0%
0	119	119	119	119	116	116	116	111	111	111	106	106	106	102	102	102	100
1	106	103	99	99	104	101	98	0	97	95	96	94	92	93	91	89	87
2	94	88	83	83	92	87	82	89	84	80	86	82	78	83	79	77	75
3	83	76	70	70	82	75	69	79	73	68	76	71	67	74	70	66	64
4	74	66	60	60	73	65	60	71	64	59	68	63	58	66	61	57	55
5	67	58	52	52	66	58	52	64	57	51	62	55	51	60	54	50	48
6	60	52	46	46	59	51	45	57	50	45	56	49	45	54	49	44	42
7	55	46	40	40	54	46	40	52	45	40	51	44	40	50	44	39	37
8	50	42	36	36	49	41	36	48	41	36	47	40	36	46	40	35	33
9	46	38	32	32	45	38	32	44	37	32	43	37	32	42	36	32	30
10	42	35	29	29	42	34	29	41	34	29	40	34	29	39	33	29	27

*Effective floor cavity reflectance 20%