

SL Series Strip Light

Highlights

- Contractor strip light that can be surface mounted or suspended
- Available in 4ft and 8ft lengths
- Ideal for stairwells, corridors, indoor parking, and storage rooms
- Premium LEDs provide a crisp CRI across a spectrum of temperatures
- Optional integrated EM driver and or motion sensor available
- High efficiency 130lm/w fixture
- UL, DLC (Premium)



Ordering Guide

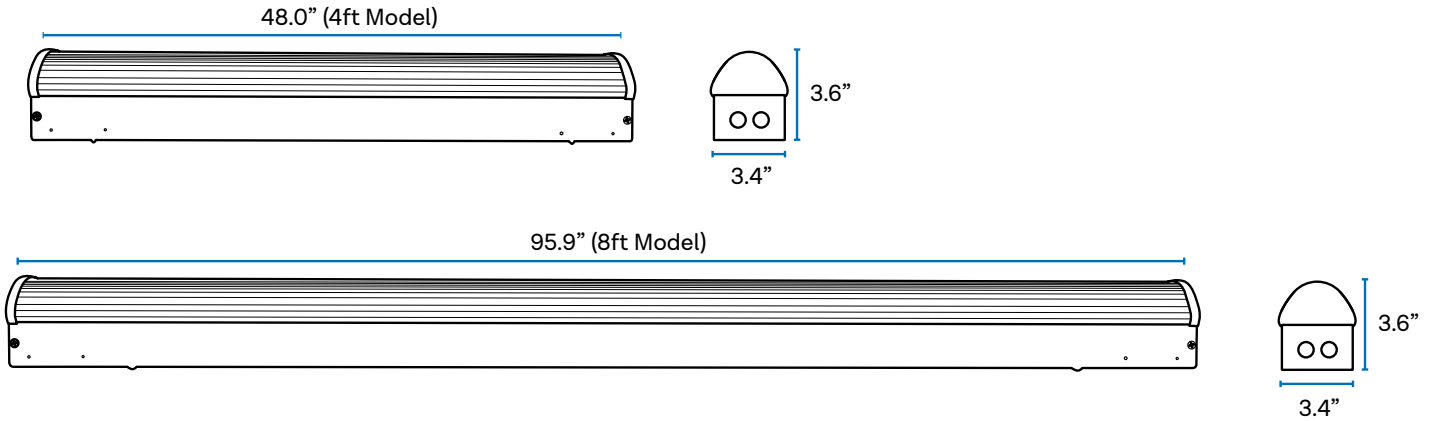
Example: VA-SL-4-35-30

VA-SL-X-XX-XX

VA	-	SL	-	-	-
VALRIYA		FAMILY	SIZE	POWER	CCT
VA		SL Strip Light	X 4 = 4ft 8 = 8ft	XX 35 = 35W 65 = 65W	XX 30 = 3000K 35 = 3500K 40 = 4000K 50 = 5000K

SL Series

0.1 Dimensions



0.2 Technical Overview

CATEGORY	SPECIFICATION	DETAILS	
General Performance	Length	4ft	8ft
	Nominal Power	35W	65W
	Nominal Lumens Delivered	4,550lm	8,450lm
	Efficiency (lm/w)	130lm	
	Color Temperature (CCT)	3000K, 3500K, 4000K, 5000K	
	Dimming	Standard 0-10V Dimming	
	Input Voltage	120-277V 50/60 Hz	
	CRI	80+	
	Lumen Maintenance (L70)	50,000 Hours+	
Physical	Dimensions (Inches)	48.0 x 3.4 x 3.6	95.9 x 3.4 x 3.6
	Weight	6.4lbs	13.8lbs
	Housing	Steel	
	Diffuser / Lens	PC	
	Mounting	Surface Mount / Suspension	
	Operating Temperature	14°F to 104°F	
	Certifications	Safety Certification	UL
DLC Listed*1		V4.4, Premium	V4.4, Premium
Warranty		5 Year	

*1 Excludes 3000K / 3500K. Non DLC products can be listed upon request

SL Series

0.3 Photometric Data (4ft, 5000K)

CANDLE POWER

ANGLE	C0	C45	C90
10	1,227	1,227	1,234
20	1,143	1,162	1,183
30	1,009	1,053	1,094
40	841	914	982
50	653	761	854
60	461	607	718
70	272	465	587
80	106	346	468
90	7	247	362

ZONAL LUMEN SUMMARY

ZONE	LUMENS	% FIXTURE	LAMP
0-30	967	21.1	21.1
0-40	1,581	34.4	34.4
0-60	2,821	61.4	61.4
0-90	4,016	87.4	87.4
0-180	4,595	100.0	100.0

COEFFICIENT OF UTILIZATION (PFC - 20%)

RCR	RC	80%			70%			50%			30%			10%			0%
	RW	50%	30%	10%	50%	30%	10%	50%	30%	10%	50%	30%	10%	50%	30%	10%	0%
0	116	116	116	116	112	112	112	104	104	104	97	97	97	90	90	90	87
1	98	93	88	88	94	90	86	88	84	81	82	79	76	76	74	72	68
2	84	77	71	71	81	75	69	76	70	65	71	66	62	66	62	59	56
3	74	65	58	58	71	63	57	66	59	54	62	56	51	58	53	49	46
4	65	56	49	49	63	54	48	59	51	46	55	49	44	51	46	42	39
5	58	49	42	42	56	47	41	52	45	39	49	43	38	46	40	36	34
6	52	43	36	36	50	42	35	47	40	34	44	38	33	42	36	32	29
7	47	38	32	32	46	37	31	43	35	30	40	34	29	38	32	28	26
8	43	34	28	28	42	33	28	39	32	27	37	31	26	35	29	25	23
9	39	31	25	25	38	30	25	36	29	24	34	28	23	32	27	23	21
10	36	28	23	23	35	28	23	33	27	22	32	25	21	30	24	20	19

*Effective floor cavity reflectance 20%