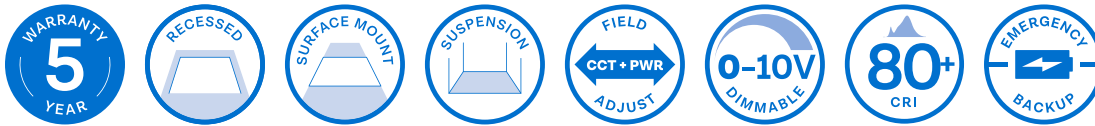


TPL Series

Tunable White + Power Flat Panel

Highlights

- Featuring edge-lit technology for superior performance and light uniformity
- Features adjustable color temp and power output on the driver:
 - 3000K / 3500K / 4000K / 5000K
 - 4 different wattages (5W steps)
- Available in 1'x4', 2'x2', and 2'x4' sizing
- Premium LEDs provide a crisp CRI across a spectrum of temperatures
- Optional factory EM driver install available
- UL, DLC (Premium)



Ordering Guide

Example: VA-TPL-24

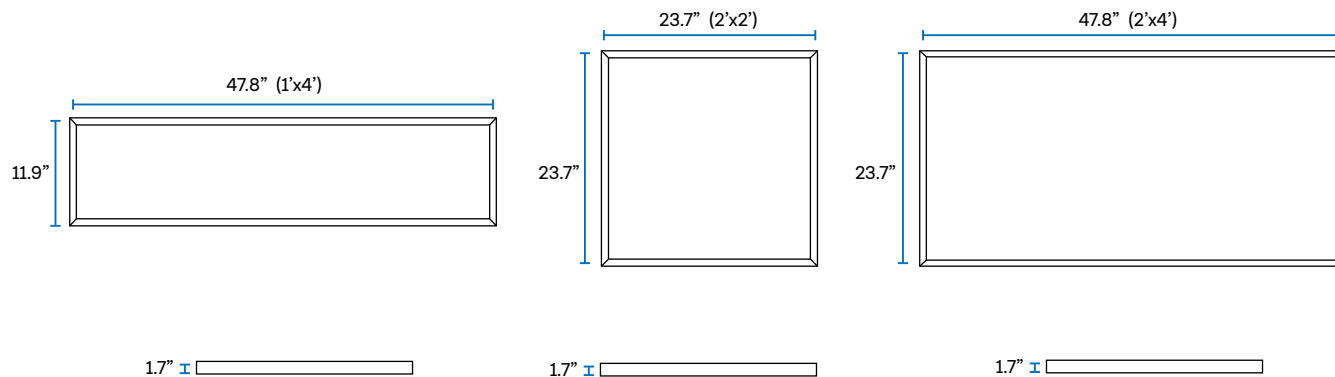
VA-TPL-XX

VA - TPL -

VALRIYA	FAMILY	SIZE	POWER	CCT
VA	TPL Tunable Panel	XX 14 = 1'X4' 22 = 2'X2' 24 = 2'X4'	20W / 25W / 30W / 35W 20W / 25W / 30W / 35W 35W / 40W / 45W / 50W	3000K / 3500K / 4000K / 5000K 3000K / 3500K / 4000K / 5000K 3000K / 3500K / 4000K / 5000K

TPL Series

0.1 Dimensions



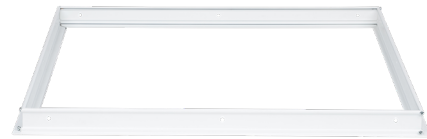
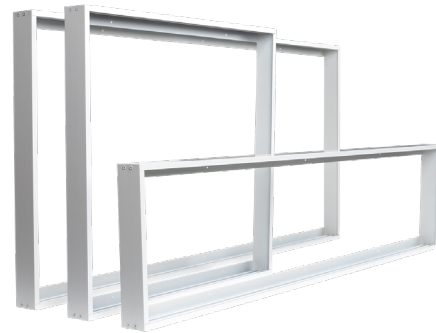
0.2 Technical Overview

CATEGORY	SPECIFICATION	DETAILS		
General Performance	Size	1'x4'	2'x2'	2'x4'
	Nominal Power (Adjustable)	20W / 25W / 30W / 35W		35W / 40W / 45W / 50W
	Nominal Lumens Delivered	2,500-4,375lm		4,375-6,250lm
	Efficiency (lm/w)	125lm/w		
	Color Temperature (CCT Adjustable)	3000K / 3500K / 4000K / 5000K		
	Dimming	Standard 0-10V dimming		
	Input Voltage	120-277V 50/60Hz		
	CRI	80+		
	Lumen Maintenance (L70)	50,000+ Hours		
	Physical	Dimensions	See Above	
Weight		8.4lbs	7.3lbs	13.9lbs
Housing		Aluminum		
LGP Material		PMMA		
Mounting		Recessed / Hanging / Surface Mount		
Operating Temperature		14°F to 104°F		
Certifications	Safety Certification	UL		
	DLC Listed	V4.4, Premium	V4.4, Premium	V4.4, Premium
	Warranty	5 Year		

TPL Series

0.3 Accesories

	SKU	DESCRIPTION
Surface	VA-SMK-14	1'x4' Surface Mount Kit
	VA-SMK-22	2'x2' Surface Mount Kit
	VA-SMK-24	2'x4' Surface Mount Kit
Drywall	VA-DWK-14	1'x4' Drywall Kit
	VA-DWK-22	2'x2' Drywall Kit
	VA-DWK-24	2'x4' Drywall Kit
Hang	VA-PHK-2	2'x2' Hang Kit
	VA-PHK-4	1'x4' or 2'x4 Hang Kit
EM	VA-ED-LV-16-XX	16W, 90-min Backup (factory install)



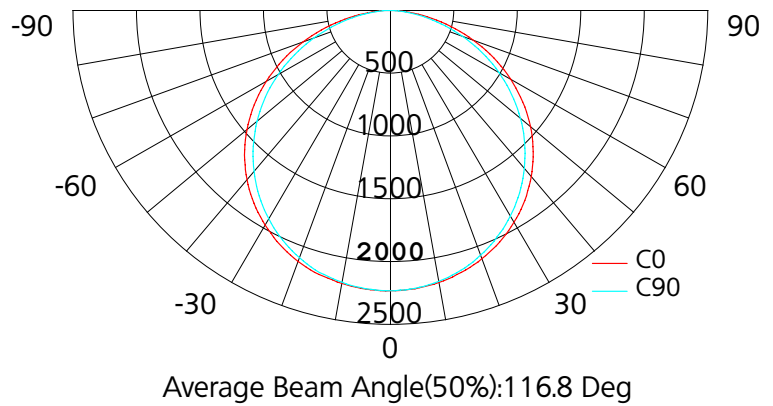
TPL Series

0.4 Photometric Data (2'x4', 50W, 5000K)

CANDLE POWER

ANGLE	C0	C45	C90
5	2283	2276	2269
10	2251	2268	2285
20	2176	2166	2156
30	1962	1966	1970
40	1735	1742	1749
50	1383	1419	1455
60	1052	1064	1076
70	625	673	721
80	247	282	317
90	24	21	19

CANDELA PLOT



ZONAL LUMEN SUMMARY

ZONE	LUMENS	% FIXTURE	LAMP
0-30	1,783	27.2	27.2
0-40	2,924	44.7	44.7
0-60	5,182	79.2	79.2
0-90	6,545	100.0	100.0
0-180	6,545	100.0	100.0

COEFFICIENT OF UTILIZATION (PFC - 20%)

RCR	RC	80%			70%			50%			30%			10%			0%
		50%	30%	10%	50%	30%	10%	50%	30%	10%	50%	30%	10%	50%	30%	10%	0%
0	119	119	119	116	116	116	111	111	111	106	106	106	102	102	102	100	
1	104	99	95	101	97	94	97	94	91	93	90	88	89	87	85	83	
2	90	83	77	88	82	76	84	79	74	81	77	73	78	74	71	69	
3	79	70	64	77	69	63	74	67	62	71	66	61	69	64	60	58	
4	70	61	54	68	60	53	66	58	53	63	57	52	61	56	51	49	
5	62	53	46	61	52	46	59	51	45	57	50	45	55	49	44	42	
6	56	47	40	55	46	40	53	45	40	51	44	39	50	44	39	37	
7	50	42	35	50	41	35	48	40	35	47	40	35	45	39	34	32	
8	46	37	31	45	37	31	44	36	31	43	36	31	41	35	31	29	
9	42	34	28	42	34	28	40	33	28	39	33	28	38	32	28	26	
10	39	31	26	38	31	25	37	30	25	36	30	25	35	29	25	23	

*Effective floor cavity reflectance 20%