

LVDS Series

Low Voltage Dimmer Switch

Highlights

- Low voltage dimmer switch for use with compatible 0-10V LED & CFL drivers / ballasts
- UL listed and compatible with all Valriya fixtures
- Choose from single pole or 3-Way wiring installation. Features high and low range dimming adjustment
- Rated for both 120V AC (6A) and 277V AC (3A) applications
- Comes standard with white cover plate and wire connectors



Ordering Guide

Example: VA-LVDS-WH

VA-LVDS-WH

VA - LVDS - WH

VALRIYA

FAMILY

COLOR

VA

LVDS

WH

Low Voltage

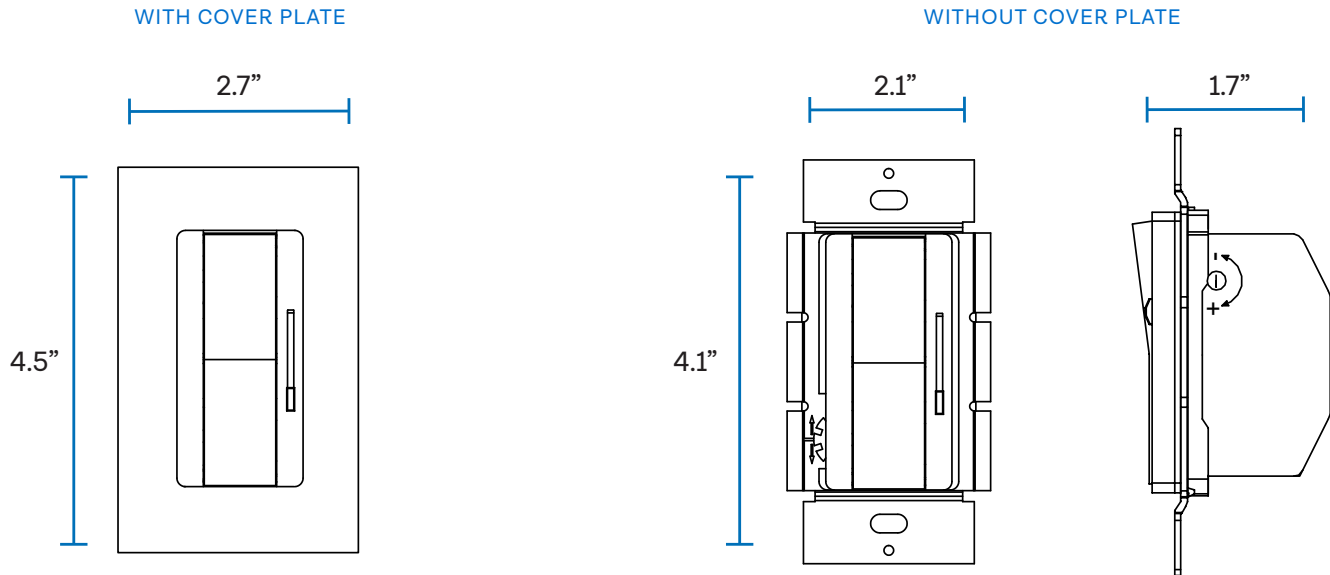
WH = White

Dimmer Switch

LVDS Series

Low Voltage Dimmer Series

0.1 Dimensions



0.2 Technical Overview

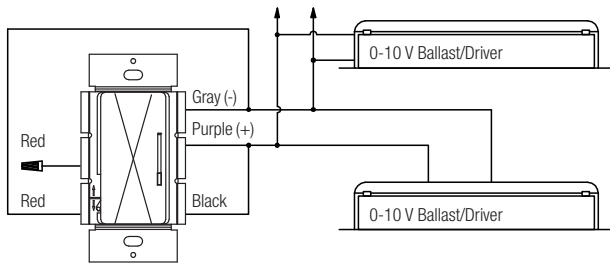
CATEGORY	SPECIFICATION	DETAILS
General Performance	Device Rating (Single / Double / Triple Gang)	120V 50/60Hz, 6A; 277V 50/60Hz, 3A
	Operating Temperature	32°F to 104°F
	Environment	Indoor Use Only
Physical	Dimensions (Inches)	See Above
	Weight	0.2lbs
	Housing	Thermoplastic
	Mounting	Recessed (Wallbox)
Certifications	Safety Certification	UL
	Warranty	2 Year Limited

LVDS Series

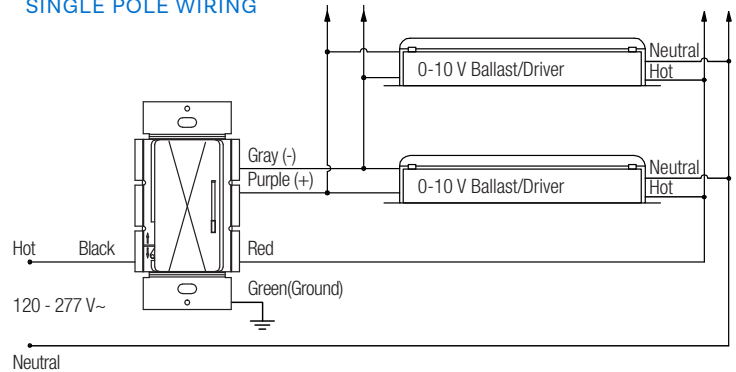
Low Voltage Dimmer Series

0.3 Wiring Diagrams

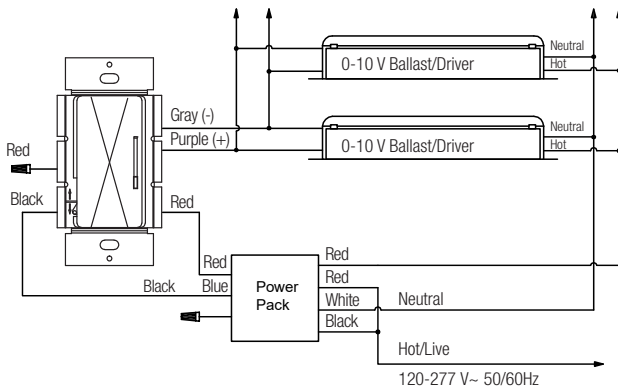
DIMMING ONLY WIRING



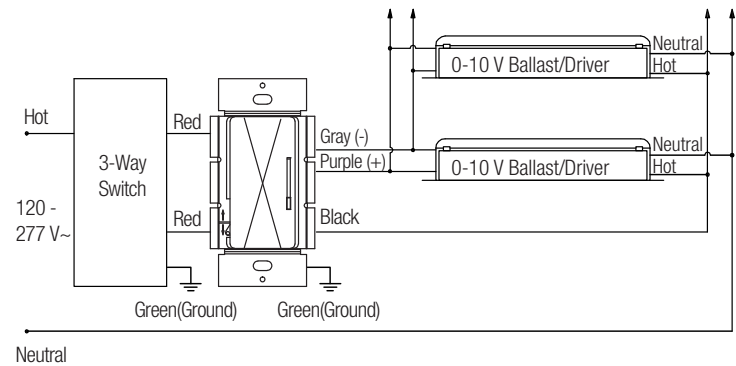
SINGLE POLE WIRING



WIRING USING POWER PACK

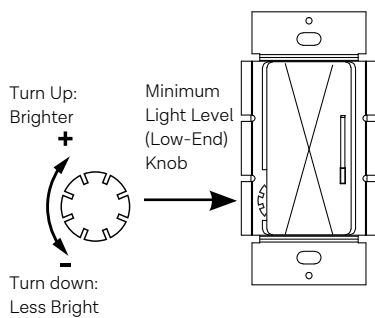


3-WAY WIRING



0.4 Dimming Range Adjustment

DIMMING LOW END



DIMMING HIGH END

