

WPA Series

Wall Pack

Highlights

- Die-cast aluminum shell with a dark bronze finish
- Features multiple knock outs for mounting and power for a wide array of applications
- UL Wet Rated
- Ideal lighting for security, perimeter, building entry, and walkway applications
- Optional wireless motion + daylight sensor integration available for energy savings
- UL, DLC (Standard)



Ordering Guide

Example: VA-WPA-135-50

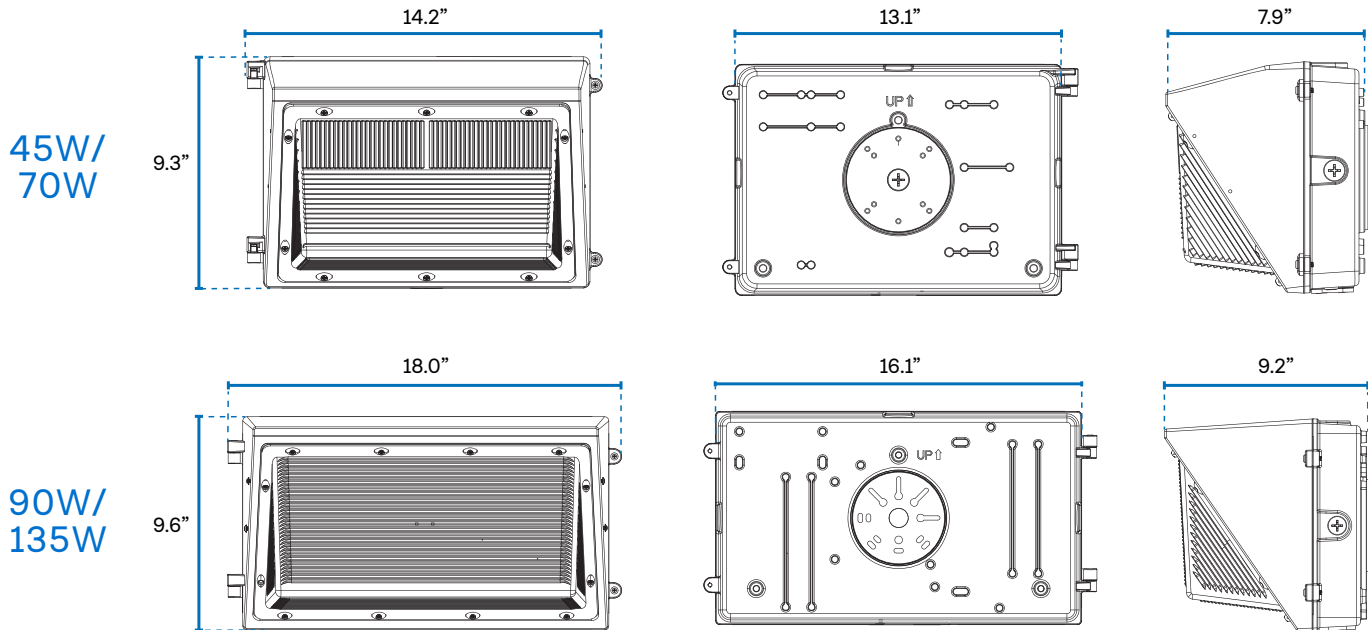
VA-WPA-XXX-XX

VA	-	WPA	-	-
VALRIYA		FAMILY		POWER
VA		WPA Wall Pack		XXX 045 = 45W 070 = 70W 090 = 90W 135 = 135W
				CCT
				XX 30 = 3000K 40 = 4000K 50 = 5000K

WPA Series

Wall Pack

0.1 Dimensions



0.2 Technical Overview

CATEGORY	SPECIFICATION	DETAILS			
General Performance	Nominal Power	45W	70W	90W	135W
	Nominal Lumens Delivered	4,900lm+	7,800lm+	9,900lm+	15,100lm+
	Replaces	175W MH	250W MH	320W MH	400W MH
	Efficiency (lm/w)	110+ lm/w			
	Color Temperature (CCT)	3000K, 4000K, 5000K			
	Dimming	Standard 1-10V Dimming			
	Input Voltage	120-277V 50/60Hz			
	CRI	70+			
	Lumen Maintenance (L70)	50,000 Hours+			
	Physical	Dimensions	See Above		
Weight		6.6lbs	6.8lbs	10.9lbs	11.6lbs
Housing		Die-Cast Aluminum, Dark Bronze Finish			
Diffuser / Lens		PC			
Mounting		Surface Mount			
Operating Temperature		-40°F to 104°F			
Certifications		Safety Certification	UL (Wet Rated)		
	DLC Listed**	V4.4, Standard	V4.4, Standard	No	V4.4, Standard
	Warranty	5 Year			

* Excludes 3000K. Non DLC products can be listed upon request

WPA Series

Wall Pack

0.3 SKU List

SKU	DESCRIPTION	WATTAGE	CCT	LUMENS	CRI	DIMMING	INPUT VOLTAGE	CERTIFICATIONS	DLC	QUICK SHIP
VA-WPA-045-30	45W Wall pack	45W	3000K	4900	70+	1-10V	120-277VAC	UL, Wet Rated	No	Yes
VA-WPA-045-40	45W Wall pack	45W	4000K	4900	70+	1-10V	120-277VAC	UL, Wet Rated	4.4 Standard	Yes
VA-WPA-045-50	45W Wall pack	45W	5000K	4900	70+	1-10V	120-277VAC	UL, Wet Rated	4.4 Standard	Yes
VA-WPA-070-30	70W Wall pack	70W	3000K	7800	70+	1-10V	120-277VAC	UL, Wet Rated	No	Yes
VA-WPA-070-40	70W Wall pack	70W	4000K	7800	70+	1-10V	120-277VAC	UL, Wet Rated	4.4 Standard	Yes
VA-WPA-070-50	70W Wall pack	70W	5000K	7800	70+	1-10V	120-277VAC	UL, Wet Rated	4.4 Standard	Yes
VA-WPA-090-30	90W Wall pack	90W	3000K	9900	70+	1-10V	120-277VAC	UL, Wet Rated	No	Yes
VA-WPA-090-40	90W Wall pack	90W	4000K	9900	70+	1-10V	120-277VAC	UL, Wet Rated	No	Yes
VA-WPA-090-50	90W Wall pack	90W	5000K	9990	70+	1-10V	120-277VAC	UL, Wet Rated	No	Yes
VA-WPA-135-30	135W Wall pack	135W	3000K	15100	70+	1-10V	120-277VAC	UL, Wet Rated	No	Yes
VA-WPA-135-40	135W Wall pack	135W	4000K	15100	70+	1-10V	120-277VAC	UL, Wet Rated	4.4 Standard	Yes
VA-WPA-135-50	135W Wall pack	135W	5000K	15100	70+	1-10V	120-277VAC	UL, Wet Rated	4.4 Standard	Yes

0.4 Accessories*

	SKU	DESCRIPTION
Sensor	PC-JL-120-277V	Photocell (120-277VAC)
	BRI823	Wireless Motion + Photocell
	RC100	Wireless Programmable Remote (BRI823)
EM	YH12-W890	8W Split EM Driver, CEC Listed

*Items must be ordered separately



PC-JL-120-277V



BRI823



RC100



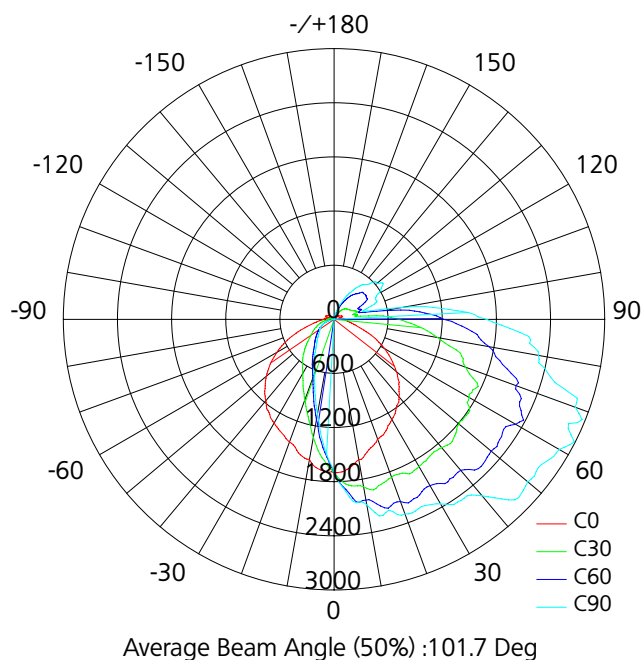
YH12-W890

0.5 Photometric Data (70W, 5000K)*

CANDLE POWER

ANGLE	C0	C45	C90
10	1,581	2,017	2,088
20	1,412	2,068	2,294
30	1,283	2,057	2,363
40	1,116	1,970	2,553
50	902	2,056	2,802
60	644	2,008	2,882
70	354	1,911	2,844
80	173	1,480	2,300
90	116	1,011	1,691

CANDELA PLOT



ZONAL LUMEN SUMMARY

ZONE	LUMENS	% FIXTURE	LAMP
0-30	1,216	15.6	15.6
0-40	2,014	25.9	25.9
0-60	4,006	51.5	51.5
0-90	6,685	86.0	86.0
0-180	7,772	100.0	100.0

COEFFICIENT OF UTILIZATION (PFC - 20%)

RCR	RC	80%			70%			50%			30%			10%			0%
		50%	30%	10%	50%	30%	10%	50%	30%	10%	50%	30%	10%	50%	30%	10%	0%
0	116	116	116	116	111	111	111	103	103	103	96	96	96	89	89	89	86
1	95	89	84	84	91	86	81	84	80	76	78	74	71	72	69	67	63
2	80	72	65	65	77	69	63	71	65	59	66	60	56	60	56	52	49
3	69	59	52	52	66	58	50	61	54	48	56	50	45	52	47	43	40
4	60	50	43	43	58	49	42	54	46	40	49	43	37	46	40	35	33
5	53	43	36	36	51	42	35	47	40	33	44	37	32	41	35	30	27
6	48	38	31	31	46	37	30	43	35	29	39	33	27	37	31	26	24
7	43	33	27	27	41	33	26	38	31	25	36	29	24	33	27	23	20
8	39	30	24	24	38	29	23	35	28	22	33	26	21	30	25	20	18
9	36	27	21	21	34	26	21	32	25	20	30	24	19	28	22	18	16
10	33	24	19	19	32	24	19	30	23	18	28	22	17	26	20	16	14

*Effective floor cavity reflectance 20%

*Additional IES data can be downloaded [here](#)