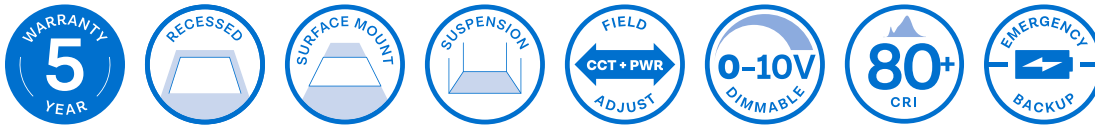
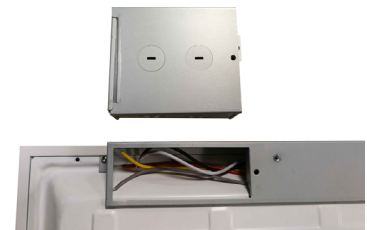
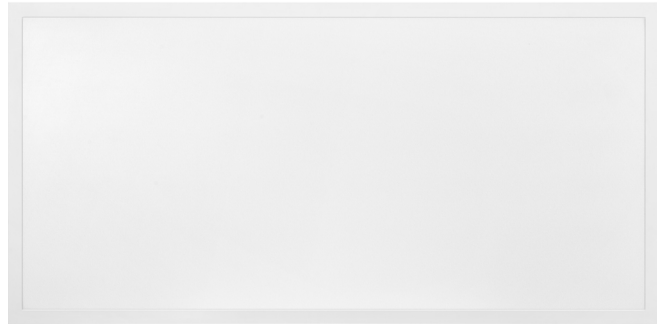


BPL Series

Tunable White Adjustable Power Panel

Highlights

- Featuring back-lit technology for compact size and light uniformity
- Features adjustable color temp and power output on the driver:
 - 3000K / 3500K / 4000K / 5000K
 - 4 different wattages (5W steps)
- Available in 1'x4', 2'x2', and 2'x4' sizing
- Comes standard with external junction box for additional power connections
- Optional factory EM driver install available
- UL, DLC (Pending)



Ordering Guide

Example: VA-BPL-24

VA-BPL-XX

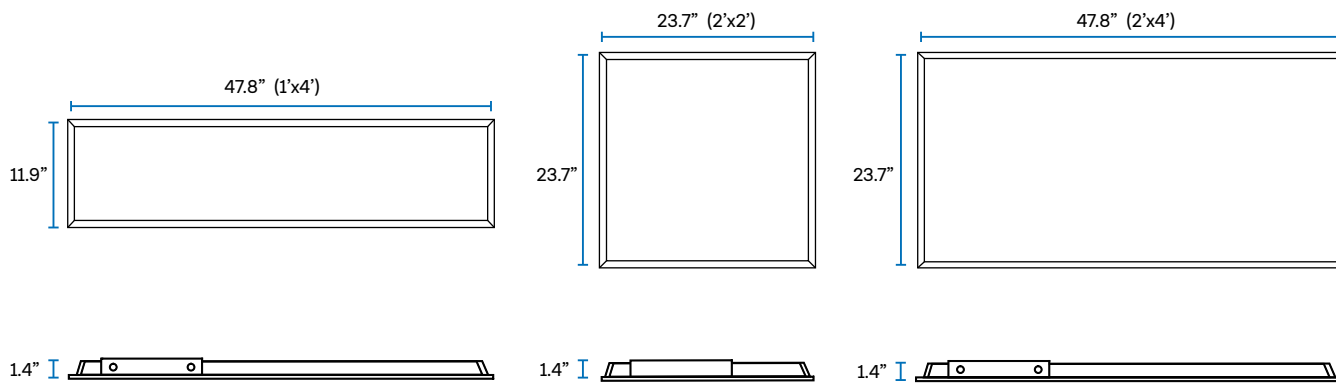
VA - BPL -

VALRIYA	FAMILY	SIZE	POWER	CCT
VA	BPL Tunable Panel	XX 14 = 1'X4' 22 = 2'X2' 24 = 2'X4'	20W / 25W / 30W / 35W 20W / 25W / 30W / 35W 35W / 40W / 45W / 50W	3000K / 3500K / 4000K / 5000K 3000K / 3500K / 4000K / 5000K 3000K / 3500K / 4000K / 5000K

BPL Series

Tunable White Adjustable Power Panel

0.1 Dimensions



0.2 Technical Overview

CATEGORY	SPECIFICATION	DETAILS		
General Performance	Size	1'x4'	2'x2'	2'x4'
	Nominal Power (Adjustable)	20W / 25W / 30W / 35W		35W / 40W / 45W / 50W
	Nominal Lumens Delivered	2,600-4,550lm		4,550-6,500lm
	Efficiency (lm/w)	130lm/w		
	Color Temperature (CCT Adjustable)	3000K / 3500K / 4000K / 5000K		
	Dimming	Standard 0-10V dimming		
	Input Voltage	120-277V 50/60Hz		
	CRI	80+		
	Lumen Maintenance (L70)	50,000+ Hours		
Physical	Dimensions	See Above		
	Weight	5.0lbs	5.5lbs	9.3lbs
	Housing	Aluminum		
	LGP Material	PMMA		
	Mounting	Recessed / Hanging / Surface Mount		
	Operating Temperature	14°F to 104°F		
Certifications	Safety Certification	UL, Damp Location, Type IC Rated		
	DLC Listed	Pending		
	Warranty	5 Year		

BPL Series

Tunable White Adjustable Power Panel

0.3 SKU List

SKU	DESCRIPTION	WATTAGE	CCT	LUMENS	CRI	DIMMING	INPUT VOLTAGE	CERTIFICATIONS	DLC	QUICK SHIP
VA-BPL-14	1'X4' Panel	20W-25W-30W-35W	3000K-3500K-4000K-5000K	2600-3250-3900-4550	80+	0-10V	120-277VAC	UL, Type IC, Damp Location	Pending	Yes
VA-BPL-22	2'X2' Panel	20W-25W-30W-35W	3000K-3500K-4000K-5000K	2600-3250-3900-4550	80+	0-10V	120-277VAC	UL, Type IC, Damp Location	Pending	Yes
VA-BPL-24	2'X4' Panel	35W-40W-45W-50W	3000K-3500K-4000K-5000K	4550-5200-5850-6500	80+	0-10V	120-277VAC	UL, Type IC, Damp Location	Pending	Yes

0.4 Accessories*

SKU	DESCRIPTION
VA-SMK-14	1'x4' Surface Mount Kit
VA-SMK-22	2'x2' Surface Mount Kit
VA-SMK-24	2'x4' Surface Mount Kit
VA-DWK-14	1'x4' Drywall Flange Kit
VA-DWK-22	2'x2' Drywall Flange Kit
VA-DWK-24	2'x4' Drywall Flange Kit
VA-PSK-2	2'x2' Suspension Kit (4ft length)
VA-PSK-4	1'x4' or 2'x4' Suspension Kit (4ft length)
VA-EDA-LI15-50	15W EM Driver, CEC Listed
VA-EDA-HY15-170	15W High Voltage EM Driver, CEC Listed
VA-ED-LV-16-XX	16W EM Driver, Non-CEC Listed

*Items must be ordered separately



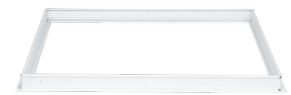
EDA



SMK



ED



DWK



PSK

BPL Series

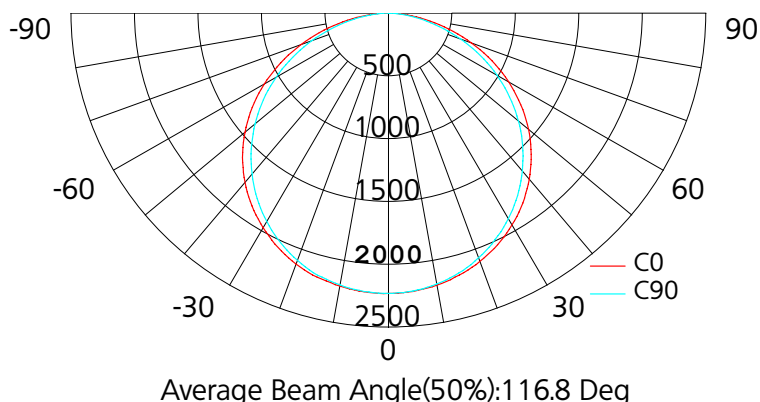
Tunable White Adjustable Power Panel

0.5 Photometric Data (2'x4', 50W, 5000K)*

CANDLE POWER

ANGLE	C0	C45	C90
5	2283	2276	2269
10	2251	2268	2285
20	2176	2166	2156
30	1962	1966	1970
40	1735	1742	1749
50	1383	1419	1455
60	1052	1064	1076
70	625	673	721
80	247	282	317
90	24	21	19

CANDELA PLOT



ZONAL LUMEN SUMMARY

ZONE	LUMENS	% FIXTURE	LAMP
0-30	1,783	27.2	27.2
0-40	2,924	44.7	44.7
0-60	5,182	79.2	79.2
0-90	6,545	100.0	100.0
0-180	6,545	100.0	100.0

COEFFICIENT OF UTILIZATION (PFC - 20%)

RCR	RC	80%			70%			50%			30%			10%			0%
		50%	30%	10%	50%	30%	10%	50%	30%	10%	50%	30%	10%	50%	30%	10%	0%
0	119	119	119	119	116	116	116	111	111	111	106	106	106	102	102	102	100
1	104	99	95	95	101	97	94	97	94	91	93	90	88	89	87	85	83
2	90	83	77	77	88	82	76	84	79	74	81	77	73	78	74	71	69
3	79	70	64	64	77	69	63	74	67	62	71	66	61	69	64	60	58
4	70	61	54	54	68	60	53	66	58	53	63	57	52	61	56	51	49
5	62	53	46	46	61	52	46	59	51	45	57	50	45	55	49	44	42
6	56	47	40	40	55	46	40	53	45	40	51	44	39	50	44	39	37
7	50	42	35	35	50	41	35	48	40	35	47	40	35	45	39	34	32
8	46	37	31	31	45	37	31	44	36	31	43	36	31	41	35	31	29
9	42	34	28	28	42	34	28	40	33	28	39	33	28	38	32	28	26
10	39	31	26	26	38	31	25	37	30	25	36	30	25	35	29	25	23

*Effective floor cavity reflectance 20%

*Additional IES data can be downloaded [here](#)