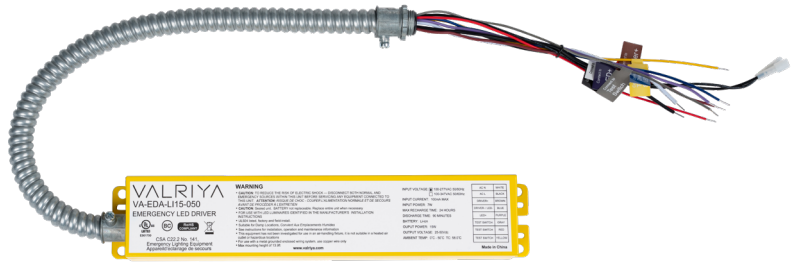


# EDA Series

## High Voltage Emergency Driver

### Highlights

- UL listed for in-field install, ideal for troffer and panel style fixtures
- Single whip for ease of install
- Designed for use with fixtures with integrated 0-10V drivers. Automatically dims the fixture during emergency use
- Minimum 90-min. operating time
- High efficiency charging system that is CEC listed (CA Title 20)
- Input range 100-347V AC, output voltage 170V DC
- 5 Year warranty – recyclable lithium-ion battery
- Can be installed with an optional t-bar hanger



### Ordering Guide

Example: VA-EDA-HY15-170

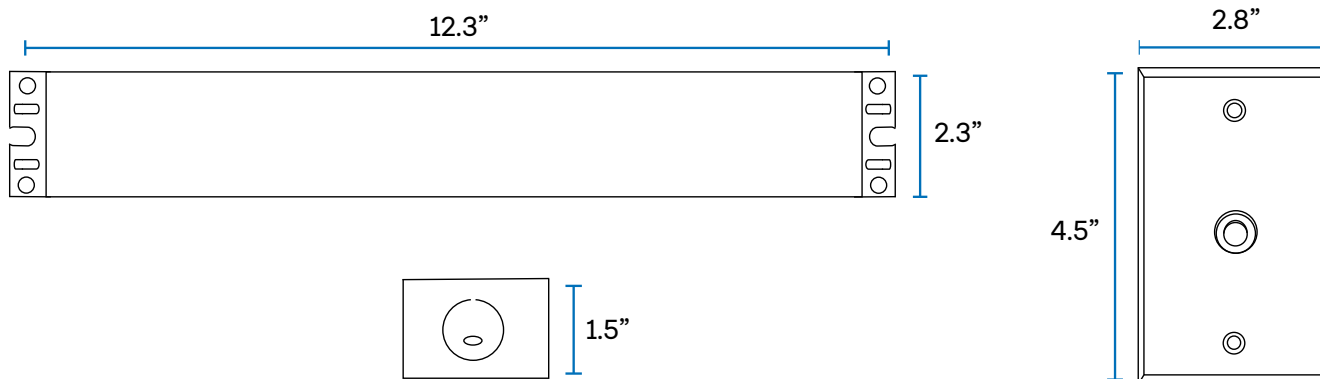
VA-EDA-HYXX-170

VA	-	EDA	-	HY	-	-	-	170
VALRIYA		FAMILY		BATTERY TYPE				OUTPUT VOLTAGE
VA		EDA Emergency Driver A		HY High Voltage Lithium Ion				170 170= 170VDC
								XX 15 = 15W 25 = 25W 40 = 40W

# EDA Series

## High Voltage Emergency Driver

### 0.1 Dimensions



### 0.2 Technical Overview

CATEGORY	SPECIFICATION	DETAILS
<b>General Performance</b>	Type	High Voltage
	Output Voltage	170VDC
	Nominal Power	15W, 25W, 40W
	Input Voltage	100-347V 50/60 Hz
	Operating Time	90 Minutes+
	Recharge Time	24 hours
	<b>Physical</b>	Dimensions
Weight		2.5lbs
Housing		Aluminum Shell
Mounting		Surface Mount or T-bar Mount
Battery Type		Lithium, Rechargeable
Operating Temperature		32°F to 122°F
<b>Certifications</b>		Safety Certification
	CEC Listed (CA Title 20)	Yes
	Warranty	5 Year

### 0.3 SKU List

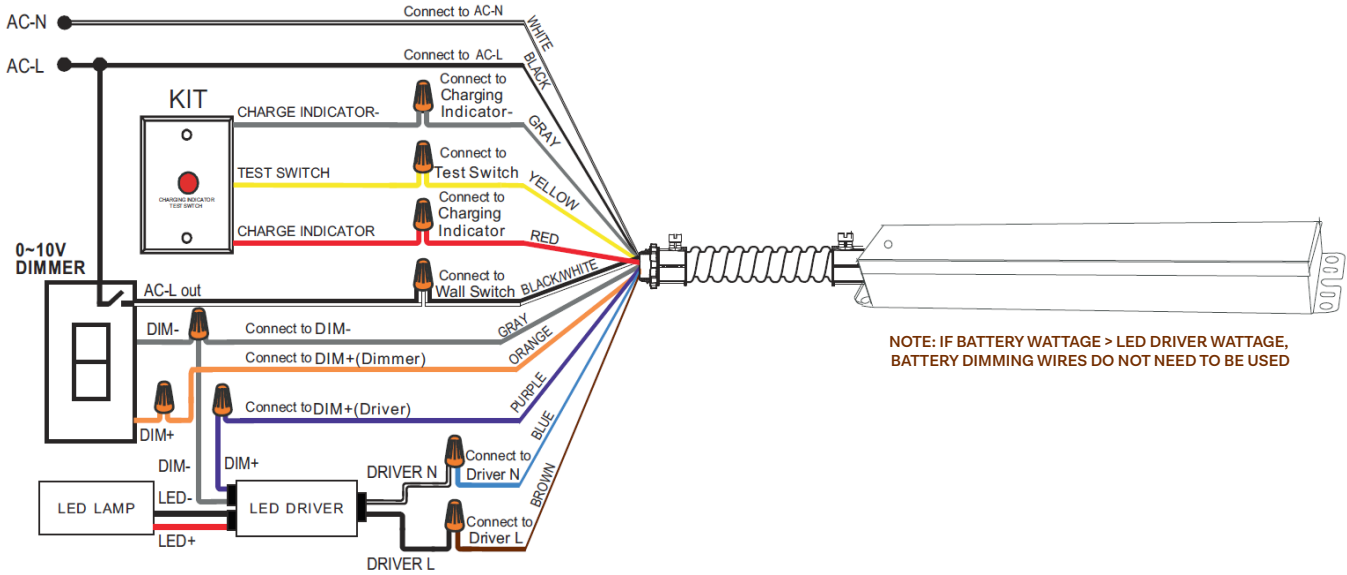
SKU	DESCRIPTION	WATTAGE	CHARGE TIME	OPERATING TIME	INPUT VOLTAGE	OUTPUT VOLTAGE	CERTIFICATIONS	CEC	QUICK SHIP
VA-EDA-HY15-170	15W EM LED Driver	15W	24Hrs	90-MIN+	100-277VAC	170VDC	UL, Field Install	Yes	Yes
VA-EDA-HY25-170	25W EM LED Driver	25W	24Hrs	90-MIN+	100-277VAC	170VDC	UL, Field Install	Yes	Yes
VA-EDA-HY40-170	40W EM LED Driver	40W	24Hrs	90-MIN+	100-277VAC	170VDC	UL, Field Install	Yes	No

# EDA Series

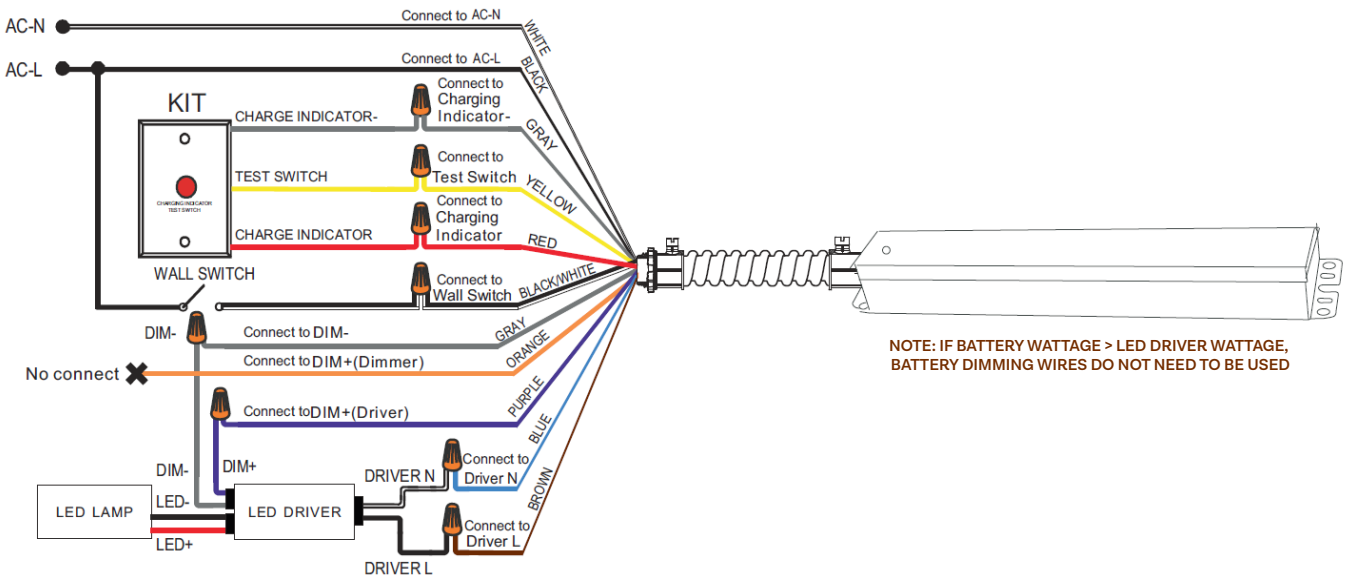
## High Voltage Emergency Driver

### 0.4 Wiring Diagrams

#### A) WITH DIMMER SWITCH



#### B) NO DIMMER SWITCH

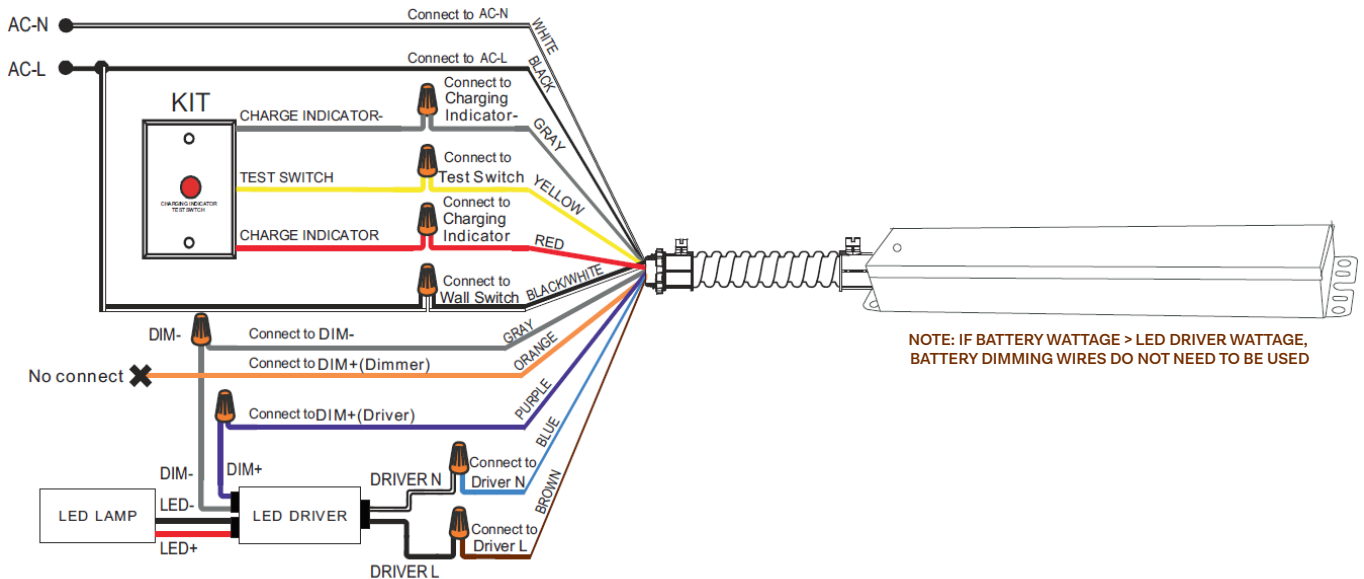


# EDA Series

## High Voltage Emergency Driver

### 0.4 Wiring Diagrams Continued

#### C) WITHOUT SWITCH AND DIMMER



#### D) WITH SENSOR

