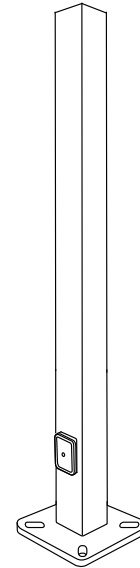


ASP Series

Square Straight Steel Pole

Highlights

- Shaft fabricated from weldable grade hot rolled commercial quality carbon steel ASTM 500 Grade B tubing with minimum yield strength of 46,000 PSI
- Finish consists of thermoset polyester powder coat applied to a minimum of 3-5 mils. Oven baked at a temperature of 400°F to insure exceptional adherence and finish hardness
- Steel plate base is ASTM-A36 hot rolled steel, meets or exceeds minimum yield strength of 36,000 PSI
- Base cover fabricated from heavy gauge quality aluminum
- Galvanized anchor bolts conform to ASTM-A36, meets or exceeds a minimum yield strength 36,000 PSI
- 100% Made in USA and BAA compliant



Ordering Guide

Example: VA-ASP-411-15-10-342-BZ

VA-ASP-XXX-XX-XX-XXX-XX-X

VA - ASP -								
VALRIYA	FAMILY	SHAFT	GAUGE	HEIGHT	BASE ¹	ANCHOR ²	FINISH	OPTIONS
VA	ASP	X	XX	XX	XX	XXX	XX	X
	Square	4 = 4"	11 = 1/8"	10 = 10ft	10 = 9.75"	342 = 3/4" x 24"	BZ = Bronze	BLANK
	Steel Pole	5 = 5"	7 = 3/16"	12 = 12ft	12 = 11.75"	136 = 1" x 36"	BK = Black	GFI
		6 = 6"		14 = 14ft	CB = Custom		WH = White	
				15 = 15ft			GN = Green	
				16 = 16ft			GY = Gray	
				18 = 18ft			SM = Silver	
				20 = 20ft			C = Custom	
				22 = 22ft				
				25 = 25ft				
				28 = 28ft				
				30 = 30ft				
				35 = 35ft				

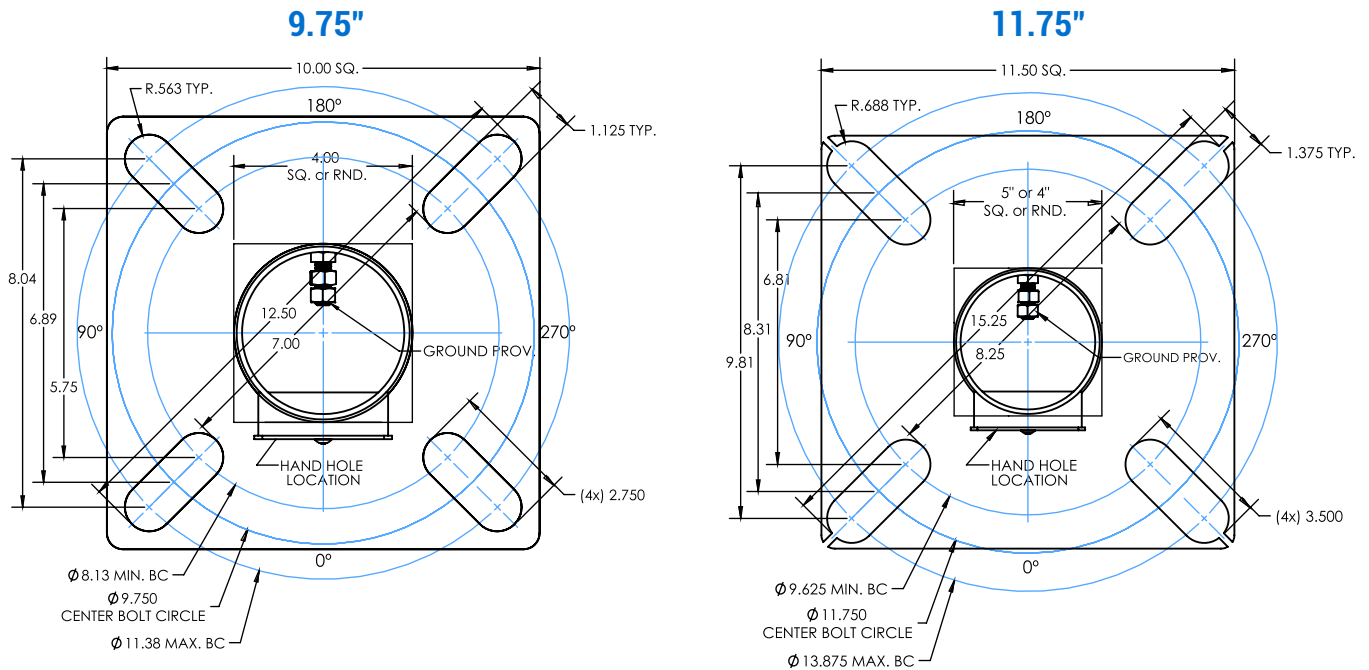
¹ Poles up to 20ft use (10) base, Poles over 20ft must use (12) base. ² Poles up to 20ft use (342) anchors, Poles over 20ft must use (136) anchors

ASP Series

Square Straight Steel Pole

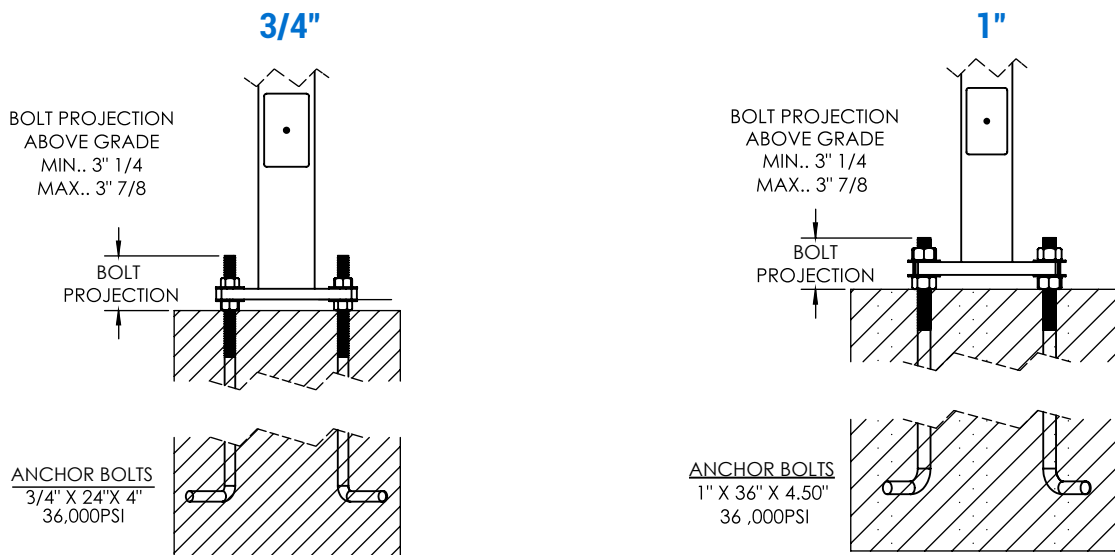
0.1 Base Plate

Base plate is ASTM-A36 hot rolled steel and meets or exceeds minimum yield strength of 36,000 PSI. Features slotted anchor bolt opening that enables a range of bolt circles.



0.2 Anchor Bolts

Available in 3/4" and 1" sizing. 100% galvanized anchor bolts, with double nuts and washers. Bolts conform to ASTM-A36 and meets or exceeds a minimum yield strength 36,000 PSI.

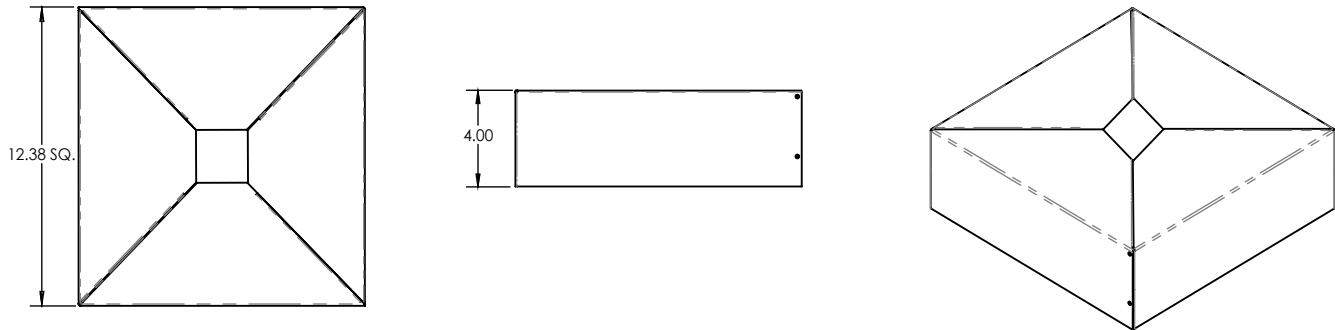


ASP Series

Square Straight Steel Pole

0.3 Base Cover

Fabricated from heavy gauge quality aluminum. Two-piece base cover completely conceals the entire base plate and anchorage. Powder coated to match color and finish of pole.



0.4 EPA Ratings

Pole Height	EPA (ft ²) with 1.3 Gust Factor							O.D.	Pole Gauge	Base Plate	Bolt Circle	Anchor Bolts
	80 MPH	90 MPH	100 MPH	110 MPH	120 MPH	130 MPH	140 MPH					
10'	30.1	23.5	18.4	11.0	10.3	7.6	6.1	4"	11	10"sq x 3/4"	9½"	3/4" x 24"
12'	23.0	17.4	13.7	8.5	7.4	5.7	4.4	4"	11	10"sq x 3/4"	9½"	3/4" x 24"
14'	18.6	13.9	10.6	6.6	5.7	4.3	3.1	4"	11	10"sq x 3/4"	9½"	3/4" x 24"
16'	15.0	10.9	10.1	4.8	3.9	3.1	1.9	4"	11	10"sq x 3/4"	9½"	3/4" x 24"
18'	11.7	8.4	6.0	3.4	2.8	1.9	—	4"	11	10"sq x 3/4"	9½"	3/4" x 24"
20'	9.3	6.4	4.3	2.4	1.7	1.3	—	4"	11	10"sq x 3/4"	9½"	3/4" x 24"
20'	15.8	10.9	8.2	5.0	4.2	3.1	2.0	4"	7	10"sq x 3/4"	9½"	3/4" x 24"
20'	17.1	12.3	8.9	5.0	4.1	3.0	1.4	5"	11	12"sq x 1"	11¾"	1" x 36"
20'	27.4	22.1	16.7	13.2	8.3	6.0	3.9	5"	7	12"sq x 1"	11¾"	1" x 36"
22'	6.3	3.7	1.9	1.3	—	—	—	4"	11	12"sq x 1"	11¾"	1" x 36"
22'	11.8	8.0	5.4	3.5	2.3	2.0	—	4"	7	12"sq x 1"	11¾"	1" x 36"
22'	12.6	8.4	5.4	3.2	1.9	1.6	—	5"	11	12"sq x 1"	11¾"	1" x 36"
22'	21.4	15.4	11.1	6.9	5.0	4.3	2.3	5"	7	12"sq x 1"	11¾"	1" x 36"
25'	5.0	2.9	1.3	—	—	—	—	4"	11	12"sq x 1"	11¾"	1" x 36"
25'	10.9	7.4	5.2	2.1	1.3	1.0	—	4"	7	12"sq x 1"	11¾"	1" x 36"
25'	10.2	6.6	4.0	1.6	—	—	—	5"	11	12"sq x 1"	11¾"	1" x 36"
25'	18.8	13.0	9.5	4.8	3.7	2.7	—	5"	7	12"sq x 1"	11¾"	1" x 36"
28'	5.6	3.1	1.4	1.1	—	—	—	4"	7	12"sq x 1"	11¾"	1" x 36"
28'	5.5	3.0	1.3	—	—	—	—	5"	11	12"sq x 1"	11¾"	1" x 36"
28'	12.0	7.6	4.4	2.8	1.3	1.1	—	5"	7	12"sq x 1"	11¾"	1" x 36"
28'	20.9	14.1	9.4	5.7	3.6	3.1	—	6"	7	12"sq x 1"	11¾"	1" x 36"
30'	5.0	2.2	—	—	—	—	—	5"	11	12"sq x 1"	11¾"	1" x 36"
30'	11.4	6.8	4.0	1.7	—	—	—	5"	7	12"sq x 1"	11¾"	1" x 36"
30'	18.9	12.8	8.4	4.3	3.0	1.9	—	6"	7	12"sq x 1"	11¾"	1" x 36"
35'	6.7	2.3	1.8	—	—	—	—	5"	7	12"sq x 1"	11¾"	1" x 36"
35'	12.1	7.0	3.8	—	—	—	—	6"	7	12"sq x 1"	11¾"	1" x 36"