

CDLA Series

Commercial Down Light

Highlights

- Innovative design for both retrofit and new construction applications
- Comes standard with a 2ft whip for ease of install
- Available in 4 inch, 6 inch, 8 inch and 9.5" in white trim and reflector
- Features adjustable color temp and power output on the driver:
 - 3000K / 3500K / 4000K
 - 3 different wattages
- Dimmable with 0-10V
- UL, Energy Star



Ordering Guide

Example: VA-CDLA-6

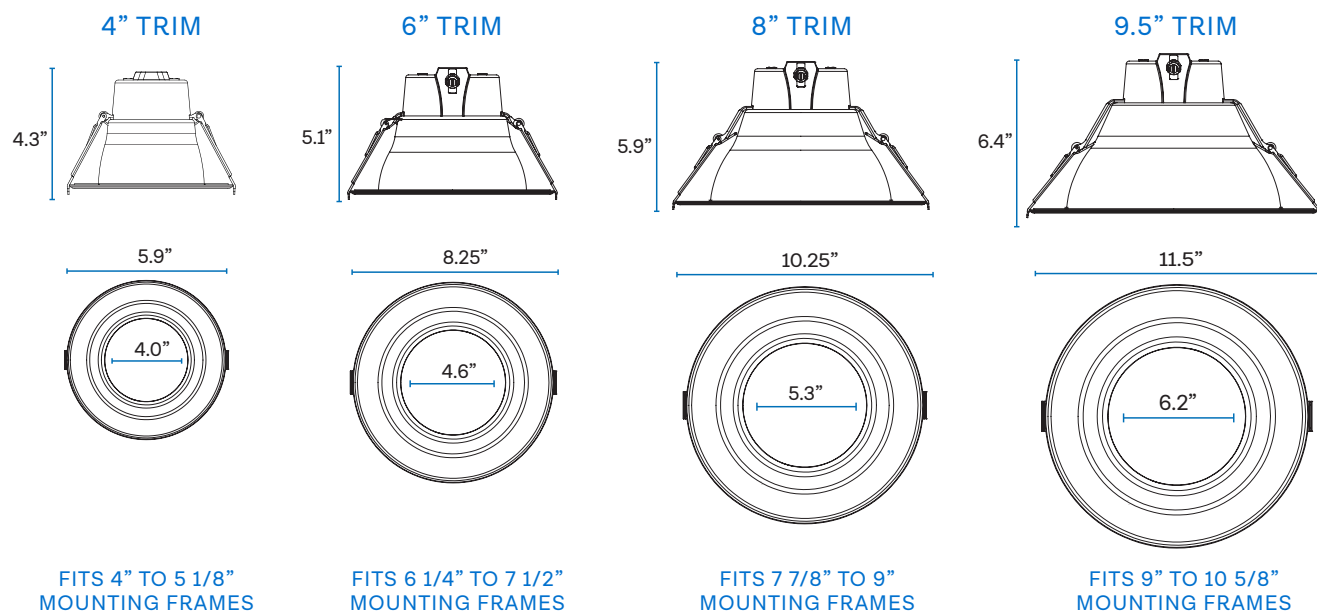
VA-CDLA-X

VA	-	CDLA	-		
VALRIYA		FAMILY		TRIM SIZE	
VA		CDLA Commercial Down Light		X 4 = 4 inch 6 = 6 inch 8 = 8 inch 9 = 9.5 inch	POWER Adjustable 4" = 5.5W / 10W / 12W 6" = 7W / 10W / 18W 8" = 10W / 15W / 22W 9.5" = 20W / 25W / 32W
					CCT Adjustable 30K / 35K / 40K

CDLA Series

Commercial Down Light

0.1 Dimensions



0.2 Technical Overview

CATEGORY	SPECIFICATION	DETAILS			
General Performance	Trim Sizes	4 inch	6 inch	8 inch	9.5 inch
	Nominal Power	5.5W/10W/12W	7W/10W/18W	10W/15W/22W	20W/25W/32W
	Nominal Lumens Delivered	500/800/1000	700/1000/1500	1000/1500/2000	2000/2500/3000
	Efficiency (lm/w) - varies by size	83-90 lm/W	83-100 lm/W		
	IC Rated	Yes			
	Environment	Wet Location			
	Color Temperature (CCT)	3000K / 3500K / 4000K			
	Dimming	Standard 0-10V Dimming			
	Input Voltage	120-347V AC	120-277V AC		
	CRI	90+			
	Beam Angle	90 Degrees			
	Lumen Maintenance (L70)	50,000 Hours+			
	Physical	Dimensions (Inches)	See Prior Page		
Housing		Plastic			
Diffuser / Lens		PMMA			
Mounting		Recessed			
Operating Temperature		-4°F to 113°F			
Certifications	Safety Certification	UL			
	Energy Star	Listed			
	Warranty	5 Year			

CDLA Series

Commercial Down Light

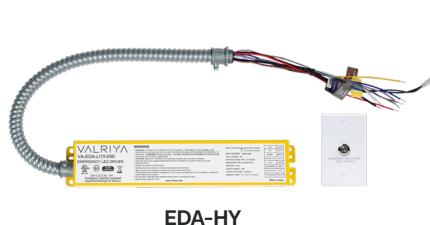
0.3 SKU List

SKU	DESCRIPTION	WATTS	CCT	LUMENS	CRI	DIMMING	INPUT VOLTAGE	CERTIFICATIONS	ENERGY STAR	QUICK SHIP
VA-CDLA-4	4" Trim	5.5W-10W-12W	3000K-3500K-4000K	500-800-1000	80+	0-10V	120-347VAC	UL Listed, Type IC, Wet Location	Yes	Yes
VA-CDLA-6	6" Trim	7W-10W-18W	3000K-3500K-4000K	700-1000-1500	80+	0-10V	120-277VAC	UL Listed, Type IC, Wet Location	Yes	Yes
VA-CDLA-8	8" Trim	10W-15W-22W	3000K-3500K-4000K	1000-1500-2000	80+	0-10V	120-277VAC	UL Listed, Type IC, Wet Location	Yes	Yes
VA-CDLA-9	9.5" Trim	20W-25W-32W	3000K-3500K-4000K	2000-2500-3000	80+	0-10V	120-277VAC	UL Listed, Type IC, Wet Location	Yes	Yes

0.4 Accessories*

SKU	DESCRIPTION
VA-EDA-HY15-170	15W High Voltage EM Driver, CEC Listed, 0-10V
VA-EDA-HY25-170	25W High Voltage EM Driver, CEC Listed, 0-10V
VA-CDLA-CPA	New Construction Plate for Stud/Joist
VA-CDLA-CPB	New Construction Plate for T-grid Ceiling
VA-CDLA-GR4	Goof Ring for 4" VA-CDLA
VA-CDLA-GR6	Goof Ring for 6" VA-CDLA
VA-CDLA-GR8	Goof Ring for 8" VA-CDLA
VA-CDLA-GR9	Goof Ring for 9.5" VA-CDLA

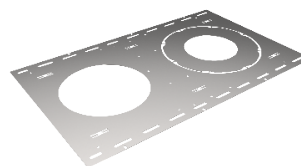
*Items must be ordered separately



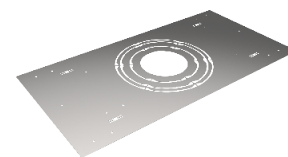
EDA-HY



GR



CPA



CPB

CDLA Series

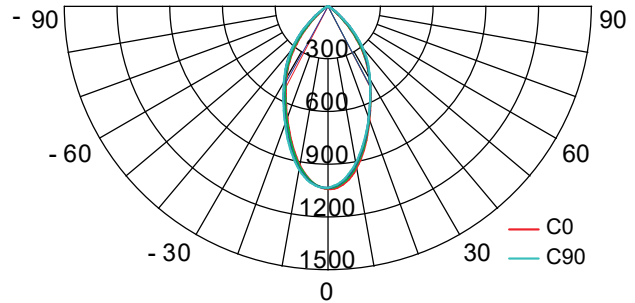
Commercial Down Light

0.5 Photometric Data (6inch, 3000K)*

CANDLE POWER

ANGLE	C0	C45	C90
10	810	819	827
20	746	755	761
30	569	569	572
40	321	318	321
50	142	140	140
60	45	42	41
70	5	4	4
80	1	1	1
90	0	0	0

CANDELA PLOT



Average Beam Angle (50%): 56.3°

ZONAL LUMEN SUMMARY

ZONE	LUMENS	% FIXTURE	LAMP
0-30	615	53.0	53.0
0-40	893	76.9	76.9
0-60	1,142	98.3	98.3
0-90	1,161	100.0	100.0
0-180	1,161	100.0	100.0

COEFFICIENT OF UTILIZATION (PFC - 20%)

RCR	RC	80%			70%			50%			30%			10%			0%
		50%	30%	10%	50%	30%	10%	50%	30%	10%	50%	30%	10%	50%	30%	10%	0%
0	119	119	119	116	116	116	111	111	111	106	106	106	102	102	102	100	
1	109	107	104	107	105	102	103	101	99	99	98	96	96	95	93	92	
2	100	95	92	98	94	90	95	92	88	85	81	78	89	87	85	83	
3	92	86	81	90	85	81	88	83	79	62	56	51	83	80	77	75	
4	84	78	73	83	77	72	81	76	72	79	74	71	77	73	70	68	
5	78	71	66	77	70	65	75	69	65	73	68	64	71	67	64	62	
6	72	65	60	71	64	59	69	63	59	68	63	59	66	62	58	57	
7	66	59	55	66	59	54	64	58	54	63	58	54	62	57	53	52	
8	62	55	50	61	55	50	60	54	50	59	53	49	58	53	49	48	
9	58	51	46	57	51	46	56	50	46	55	50	46	54	49	46	44	
10	54	47	43	53	47	43	52	47	43	52	46	42	51	46	42	41	

*Effective floor cavity reflectance 20%

*Additional IES data can be downloaded [here](#)