

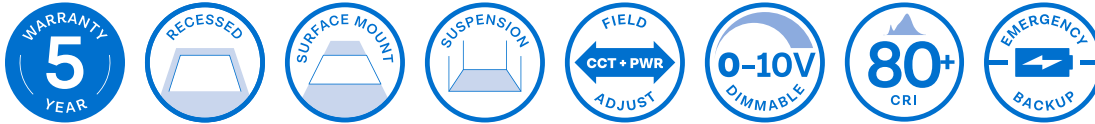
CLIENT \_\_\_\_\_  
PROJECT \_\_\_\_\_  
TYPE \_\_\_\_\_  
NOTES \_\_\_\_\_

# BTR Series

## Architectural Backlit Troffer

### Highlights

- Architectural troffer designed with a compact form factor for shallow plenum space applications
- Featuring back-lit technology for light uniformity and low glare
- Features adjustable color temp and power output on the driver:
  - 3000K / 3500K / 4000K
  - 3 different wattages
- Available in 1'x4', 2'x2', and 2'x4' sizing
- Optional factory EM driver install available
- UL, DLC (Pending)



### Ordering Guide

Example: VA-BTR-24-35A

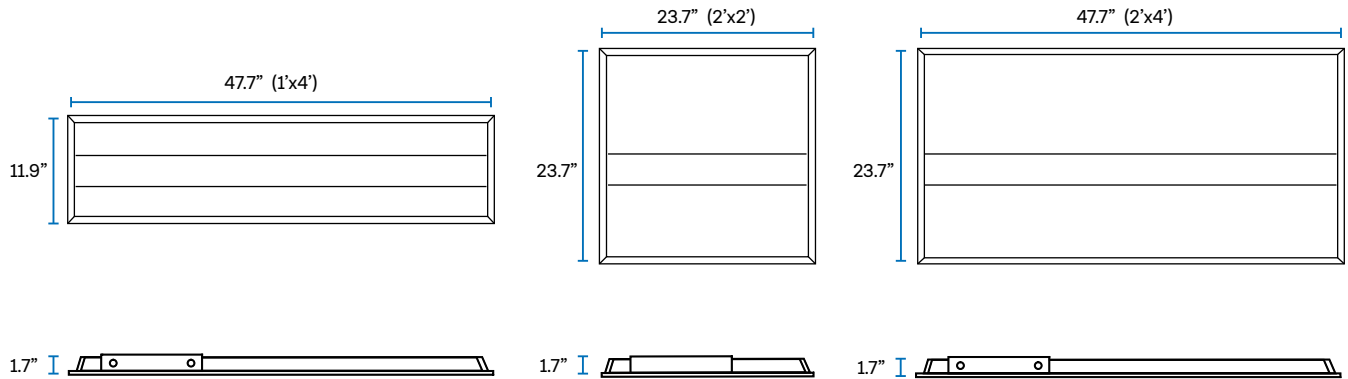
**VA-BTR-XX-35A-X**

| VA      | BTR     |            |                 | 35A           |                 |
|---------|---------|------------|-----------------|---------------|-----------------|
| VALRIYA | FAMILY  | SIZE       | CCT             | OPTION        | POWER           |
| VA      | BTR     | XX         | 35A             |               |                 |
|         | Backlit | 14 = 1'X4' | 30K / 35K / 40K | Blank = None  | 25W / 30W / 35W |
|         | Troffer | 22 = 2'X2' |                 | E = EM Backup | 25W / 30W / 35W |
|         |         | 24 = 2'X4' |                 |               | 30W / 40W / 50W |

# BTR Series

## Architectural Backlit Troffer

### 0.1 Dimensions



### 0.2 Technical Overview

| CATEGORY                   | SPECIFICATION                      | DETAILS                            |        |                 |
|----------------------------|------------------------------------|------------------------------------|--------|-----------------|
| <b>General Performance</b> | Size                               | 1'x4'                              | 2'x2'  | 2'x4'           |
|                            | Nominal Power (Adjustable)         | 25W / 30W / 35W                    |        | 30W / 40W / 50W |
|                            | Nominal Lumens Delivered           | 2,750-3,850lm                      |        | 3,300-5,500lm   |
|                            | Efficiency (lm/w)                  | 110lm/w                            |        |                 |
|                            | Color Temperature (CCT Adjustable) | 3000K / 3500K / 4000K              |        |                 |
|                            | Dimming                            | Standard 0-10V dimming             |        |                 |
|                            | Input Voltage                      | 120-277V 50/60Hz                   |        |                 |
|                            | CRI                                | 80+                                |        |                 |
|                            | Lumen Maintenance (L70)            | 50,000+ Hours                      |        |                 |
| <b>Physical</b>            | Dimensions                         | See Above                          |        |                 |
|                            | Weight                             | 5.0lbs                             | 6.0lbs | 9.8lbs          |
|                            | Housing                            | Aluminum                           |        |                 |
|                            | LGP Material                       | PMMA                               |        |                 |
|                            | Mounting                           | Recessed / Hanging / Surface Mount |        |                 |
|                            | Operating Temperature              | 14°F to 104°F                      |        |                 |
| <b>Certifications</b>      | Safety Certification               | UL, Damp Location, Type IC Rated   |        |                 |
|                            | DLC Listed                         | 5.1 (Pending)                      |        |                 |
|                            | Warranty                           | 5 Year                             |        |                 |

# BTR Series

## Architectural Backlit Troffer

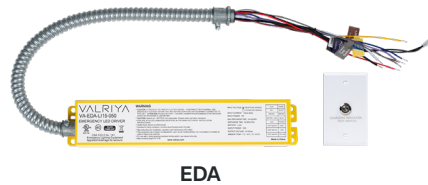
### 0.3 SKU List

| SKU             | DESCRIPTION      | WATTAGE     | CCT               | LUMENS         | CRI | DIMMING | INPUT VOLTAGE | CERTIFICATIONS             | DLC     | QUICK SHIP |
|-----------------|------------------|-------------|-------------------|----------------|-----|---------|---------------|----------------------------|---------|------------|
| VA-BTR-14-35A   | 1'X4' Troffer    | 25W-30W-35W | 3000K-3500K-4000K | 2750-3300-3850 | 80+ | 0-10V   | 120-277VAC    | UL, Type IC, Damp Location | Pending | Yes        |
| VA-BTR-22-35A   | 2'X2' Troffer    | 25W-30W-35W | 3000K-3500K-4000K | 2750-3300-3850 | 80+ | 0-10V   | 120-277VAC    | UL, Type IC, Damp Location | Pending | Yes        |
| VA-BTR-24-35A   | 2'X4' Troffer    | 40W-45W-50W | 3000K-3500K-4000K | 3300-4400-5500 | 80+ | 0-10V   | 120-277VAC    | UL, Type IC, Damp Location | Pending | Yes        |
| VA-BTR-14-35A-E | 1'X4' EM Troffer | 25W-30W-35W | 3000K-3500K-4000K | 2750-3300-3850 | 80+ | 0-10V   | 120-277VAC    | UL, Type IC, Damp Location | No      | Yes        |
| VA-BTR-22-35A-E | 2'X2' EM Troffer | 25W-30W-35W | 3000K-3500K-4000K | 2750-3300-3850 | 80+ | 0-10V   | 120-277VAC    | UL, Type IC, Damp Location | No      | Yes        |
| VA-BTR-24-35A-E | 2'X4' EM Troffer | 40W-45W-50W | 3000K-3500K-4000K | 3300-4400-5500 | 80+ | 0-10V   | 120-277VAC    | UL, Type IC, Damp Location | No      | Yes        |

### 0.4 Accessories\*

| SKU             | DESCRIPTION                                |
|-----------------|--|
| VA-SMK-14       | 1'x4' Surface Mount Kit                    |
| VA-SMK-22       | 2'x2' Surface Mount Kit                    |
| VA-SMK-24       | 2'x4' Surface Mount Kit                    |
| VA-DWK-14       | 1'x4' Drywall Flange Kit                   |
| VA-DWK-22       | 2'x2' Drywall Flange Kit                   |
| VA-DWK-24       | 2'x4' Drywall Flange Kit                   |
| VA-PSK-2        | 2'x2' Suspension Kit (4ft length)          |
| VA-PSK-4        | 1'x4' or 2'x4' Suspension Kit (4ft length) |
| VA-EDA-LI15-50  | 15W EM Driver, CEC Listed                  |
| VA-EDA-HY15-170 | 15W High Voltage EM Driver, CEC Listed     |

\*Items must be ordered separately



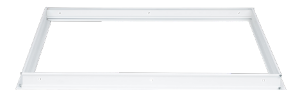
EDA



SMK



PSK



DWK

# BTR Series

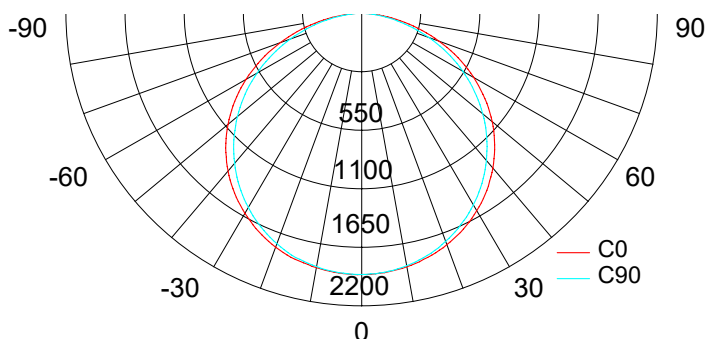
## Architectural Backlit Troffer

### 0.5 Photometric Data (2'x4', 50W, 4000K)\*

#### CANDLE POWER

| ANGLE | C0   | C45  | C90  |
|-------|------|------|------|
| 5     | 1903 | 1900 | 1899 |
| 10    | 1882 | 1873 | 1869 |
| 20    | 1790 | 1772 | 1776 |
| 30    | 1635 | 1609 | 1603 |
| 40    | 1424 | 1393 | 1387 |
| 50    | 1161 | 1129 | 1124 |
| 60    | 861  | 829  | 824  |
| 70    | 538  | 508  | 504  |
| 80    | 225  | 204  | 198  |
| 90    | 1    | 0    | 0    |

#### CANDELA PLOT



#### ZONAL LUMEN SUMMARY

| ZONE  | LUMENS | % FIXTURE | LAMP  |
|-------|--------|-----------|-------|
| 0-30  | 1,482  | 27.4      | 27.4  |
| 0-40  | 2,428  | 44.8      | 44.8  |
| 0-60  | 4,293  | 79.1      | 79.1  |
| 0-90  | 5,425  | 100.0     | 100.0 |
| 0-180 | 5,425  | 100.0     | 100.0 |

#### COEFFICIENT OF UTILIZATION (PFC - 20%)

| RCR | RC  | 80% |     |     | 70% |     |     | 50% |     |     | 30% |     |     | 10% |     |     | 0%  |
|-----|-----|-----|-----|-----|-----|-----|-----|-----|-----|-----|-----|-----|-----|-----|-----|-----|-----|
|     |     | 50% | 30% | 10% | 50% | 30% | 10% | 50% | 30% | 10% | 50% | 30% | 10% | 50% | 30% | 10% | 0%  |
| 0   | 119 | 119 | 119 | 119 | 116 | 116 | 116 | 111 | 111 | 111 | 106 | 106 | 106 | 102 | 102 | 102 | 100 |
| 1   | 104 | 100 | 96  | 96  | 102 | 98  | 94  | 97  | 94  | 91  | 94  | 91  | 89  | 90  | 88  | 86  | 84  |
| 2   | 91  | 84  | 78  | 78  | 89  | 82  | 77  | 85  | 80  | 75  | 82  | 77  | 74  | 79  | 75  | 72  | 70  |
| 3   | 80  | 71  | 65  | 65  | 78  | 70  | 64  | 75  | 68  | 63  | 72  | 67  | 62  | 70  | 65  | 61  | 59  |
| 4   | 70  | 62  | 55  | 55  | 69  | 61  | 54  | 67  | 59  | 54  | 64  | 58  | 53  | 62  | 57  | 52  | 50  |
| 5   | 63  | 54  | 47  | 47  | 62  | 53  | 47  | 60  | 52  | 46  | 58  | 51  | 46  | 56  | 50  | 45  | 43  |
| 6   | 57  | 48  | 41  | 41  | 56  | 47  | 41  | 54  | 46  | 41  | 52  | 45  | 40  | 51  | 45  | 40  | 38  |
| 7   | 51  | 42  | 36  | 36  | 50  | 42  | 36  | 49  | 41  | 36  | 47  | 41  | 36  | 46  | 40  | 35  | 33  |
| 8   | 47  | 38  | 32  | 32  | 46  | 38  | 32  | 45  | 37  | 32  | 43  | 37  | 32  | 42  | 36  | 32  | 30  |
| 9   | 43  | 35  | 29  | 29  | 42  | 34  | 29  | 41  | 34  | 29  | 40  | 33  | 29  | 39  | 33  | 29  | 27  |
| 10  | 40  | 32  | 26  | 26  | 39  | 31  | 26  | 38  | 31  | 26  | 37  | 31  | 26  | 36  | 30  | 26  | 24  |

\*Effective floor cavity reflectance 20%

\*Additional IES data can be downloaded [here](#)