

CLIENT
PROJECT
NOTES



## ELA SERIES

### ARCHITECTURAL EMERGENCY LIGHT

The ELA Series combines traditional emergency lighting and energy efficiency LED performance for a maintenance free, dependable design.

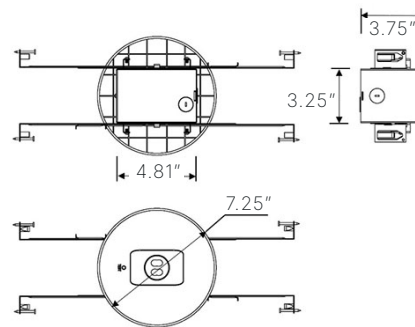
- UL 924, NEC, OSHA, NFPA 101 Life Safety Code
- Damp location rated
- For use in drop ceiling applications
- Solid-state switching transistor
- Universal 120-277VAC 50/60Hz



### TECHNICAL DETAILS

BACKUP BATTERY	LiFePO4 6.2V 3200mAh
VOLTAGE	120-277VAC
WEIGHT	6lbs.
MOUNTING	Drop ceiling
OPERATING TEMP	50°F to 122°F
WARRANTY	1 Year
LOCATION	Damp
CERTIFICATIONS	cUL, UL 924, NEC, NFPA101

### DIMENSIONS



### ORDERING GUIDE

VA-ELA	<input type="text"/>	<input type="text"/>
	<b>HOUSING</b>	<b>OPERATION</b>
	[W] White	[ST] Self Testing

Example: VA-ELA-W-ST

### EMERGENCY OPERATION

Upon failure of the normal utility power, an internal solid-state transfer switch automatically provides uninterrupted emergency operation for at least 90 minutes. The fully automatic solid-state, two-rate charger initiates battery charging to recharge a discharged battery in 24hours.

### BATTERY BACKUP

The ELA Series is designed with a maintenance-free 6.2V 3200mAh LiFePO4 battery that provides a minimum emergency duration of 90minutes. Recharge time of the battery is 24 hours. Battery is only accessible from above the unit; access from an attic, crawl space, or drop ceiling tiles is recommended.